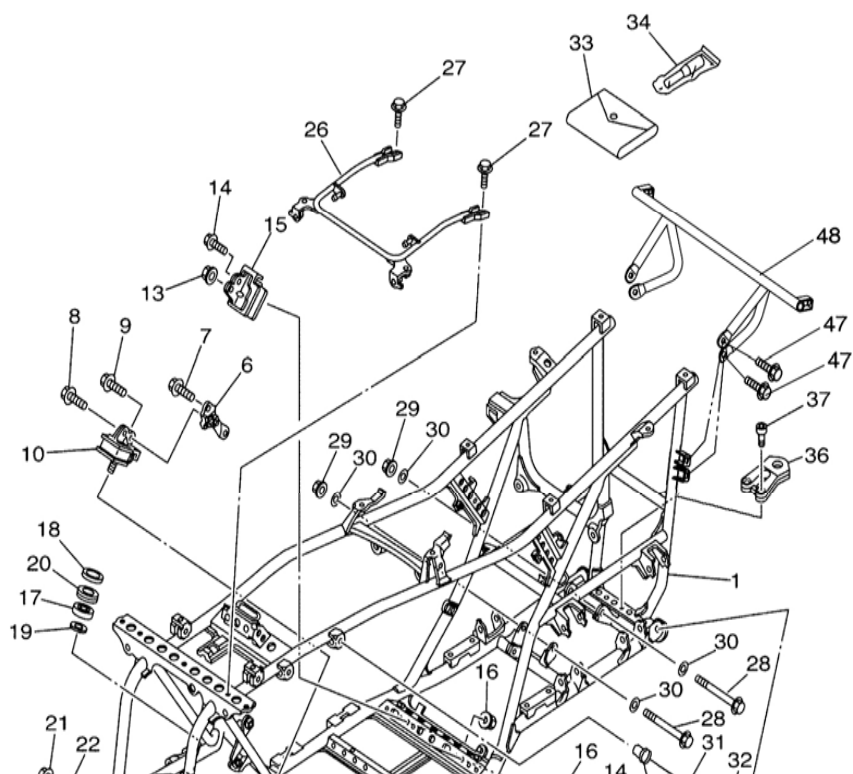


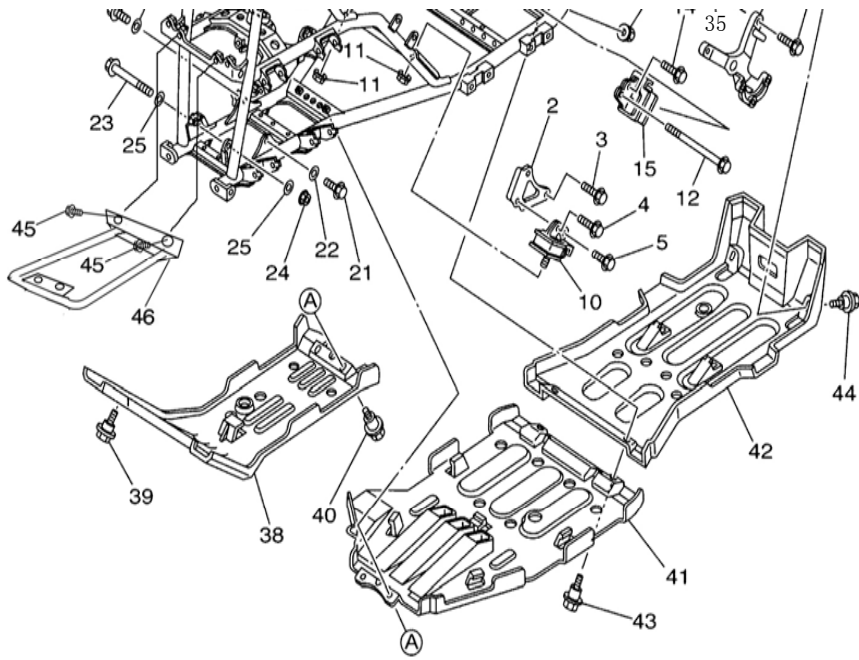
ATV500 PARTS CATALOG

FIG.201



01、 FRAME

S/N	Parts Number	Part Name And Standard
1	201171001	Jointing Comp,Frame Body
2	202170004	Joint Bracket,Engine
3	212170016	Sexangle Flang Bolt M8×20
4	106170023	Sexangle Flang Bolt M6×16
5	201170010	Sexangle Flang Bolt M8×16
6	202170003	Saty,Engine 2
7	212170016	Sexangle Flang Bolt M8×20
8	106170023	Sexangle Flang Bolt M6×16
9	201170010	Sexangle Flang Bolt M8×16
10	201171010	Front Bracket Support
11	215170014	Self-Locked Nut M10×1.25
12	202170011	Sexangle Flang Bolt M10×1.25×170
13	201171013	Self-Locked Nut M10×1.25
14	106170023	Sexangle Flang Bolt M6×16
15	201171015	Rear Bracket Support



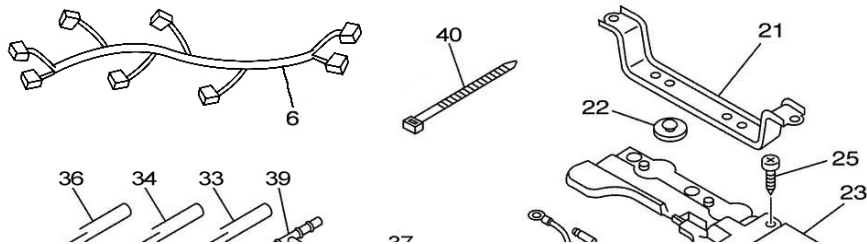
16	215170014	Self-Locked Nut M10×1.25
17	201171017	Steering Shaft Bearing 6203Rs
18	201171018	Oil Seal,Steering Shaft Bearing Upper
19	201171019	Oil Seal,Steering Shaft Bearing Under
20	201171020	Locked Nut M42×1,Steering Shaft Bearing
21	202170038	Sexangle Flang Bolt M10×1.25×25
22	201171022	Cushionφ10,Plate
23	201171023	Sexangle Flang Bolt M10×1.25×115
24	215170014	Self-Locked Nut M10×1.25
25	201171022	Cushionφ10,Plate
26	201151026	Bracket,Water Pump
27	201170009	Sexangle Flang Bolt M6×12
28	201171023	Sexangle Flang Bolt M10×1.25×115
29	215170014	Self-Locked Nut M10×1.25
30	201171030	Washerφ10
31	201171031	Connecting Bracket,Gearshift
32	201171032	Sexangle Flang Bolt M8×45
33	201171033	Tool Kit
34	201171034	Air Gauge, Tire
35	201171035	Bush
36	201171036	Hook Seat

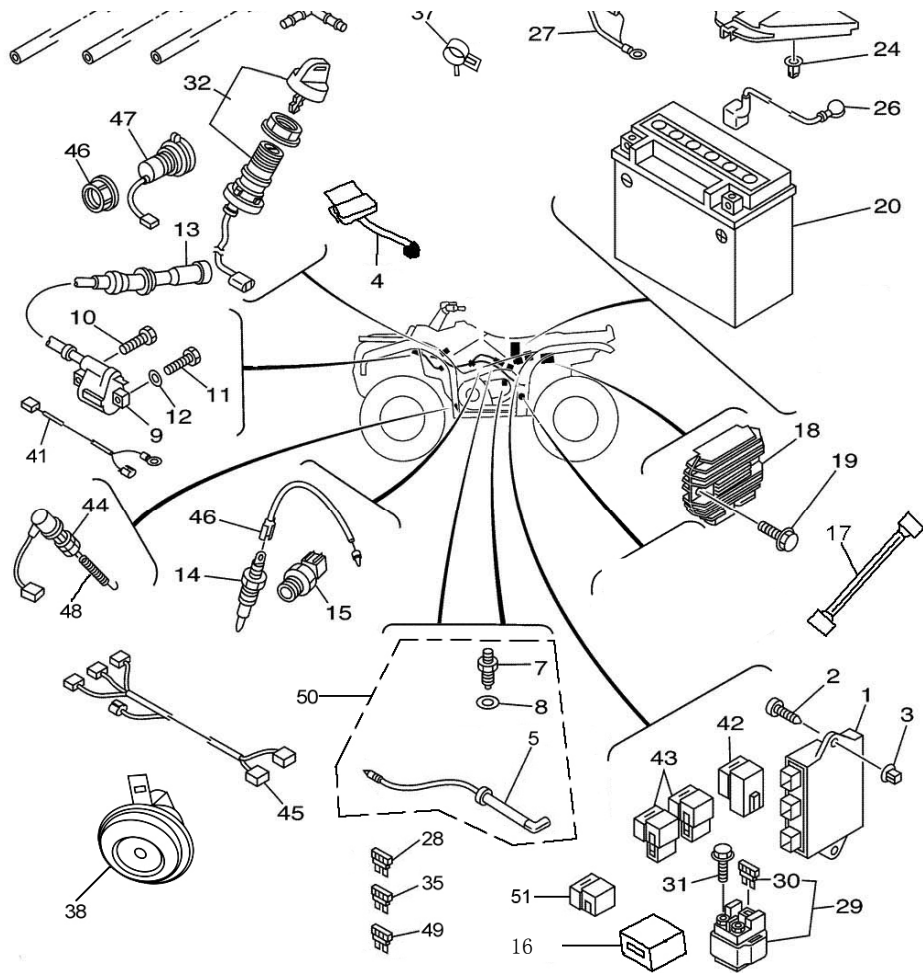
37	202170038	Cap Screw M10×1.25×25
38	201171038	Guard,Engine 1
39	231171017	Sexangle Flang Step Bolt M6×16-Φ10×4
40	231171017	Sexangle Flang Step Bolt M6×16-Φ10×4
41	201171041	Guard,Engine 2
42	201171042	Guard,Engine 3
43	231171017	Sexangle Flang Step Bolt M6×16-Φ10×4
44	231171017	Sexangle Flang Step Bolt M6×16-Φ10×4×12
45	201170009	Sexangle Flang Bolt M6×12
46	201171046	Holder Of Water Container
47	201170009	Sexangle Flang Bolt M6×12
48	201171048	Tail Light Bracket Comp

FIG.202

02、 ELECTRICAL PARTS

S/N	Parts Number	Part Name And Standard
1	202171001	Cdi Ignition Unit
2	202171002	Nut Tapping M6.2×25
3	202171003	Plastic Nut Tapping
4	202171004	Flashing Relay
5	202171005	Wire,Lead





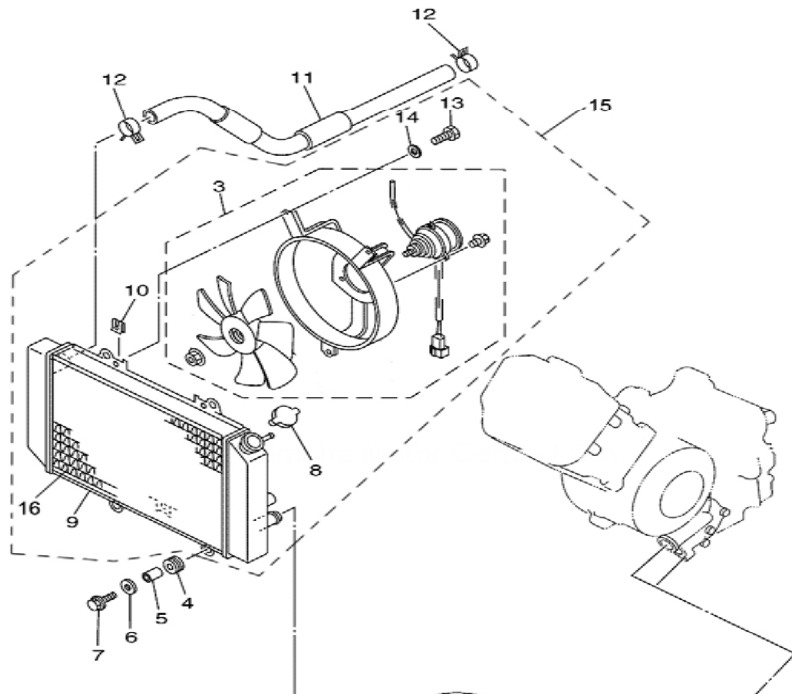
6	202171006	Main Cable Comp
7	202171007	Reverse Switch
8	201171022	Cushionφ10,Plate
9	202171009	Ignition Coil
10	221170008	Sexangle Flang Bolt M6×20
11	221170008	Sexangle Flang Bolt M6×20
12	201171022	Cushion,Plateφ10
13	202171013	High Voltage Bag&High Voltage Cap
14	202171014	Thermo Switch Assy
15	202171015	Thermo Switch Assy
16	202171016	Starting Relay Rubber Cover
17	202171017	Sensor,Connect Line
18	202171018	Rectifier,Adjusting Voltage
19	106170024	Sexangle Flang Bolt M6×20
20	202171020	Battery 12V21Ah
21	202171021	Press Plate Stand,Battery
22	202171022	Pressplate Rubber Washer,Battery
23	202171023	Protection Plate,Main Cable
24	202171003	Plastic Nut Tapping M6×25
25	202151025	Tapping Screw,Cross Groove St6×15
26	202171026	Plus Wire,Main Cable

27	202171027	Minus Wire,Main Cable
28	202171028	Fuse(15A-Bc)
29	202171029	Starting Motor Relay
30	202171030	Safety Tube,Starting Motor Relay
31	202171031	Six Angle Flang M6×10
32	202171032	Ignition Switch
33	202171033	Carburetor C300
34	202171034	Carburetor B80
35	202171035	Fuse(10A-Bc)
36	202171036	Carburetor80
37	202171037	Pipe Clipφ8
38	202171038	Horn
39	202171039	Three Fork Pipe
40	202171040	Bandage L=150
41	202171041	Cable, Ignition
42	221170041	Relay Assy
43	202171043	Relay Assy
44	202171044	Stop Switch Assy
45	202171045	Wire, Sub Lead
46	202171046	Lighter Nut
47	202171047	Socket Dc

48	202171048	Rear Brak Switch Spring
49	202171049	Fuse(5A-Bc)
50	202171050	Reverse Switch Assy
51	202171051	Auxiliary Relay Rubber Cover

FIG. 203

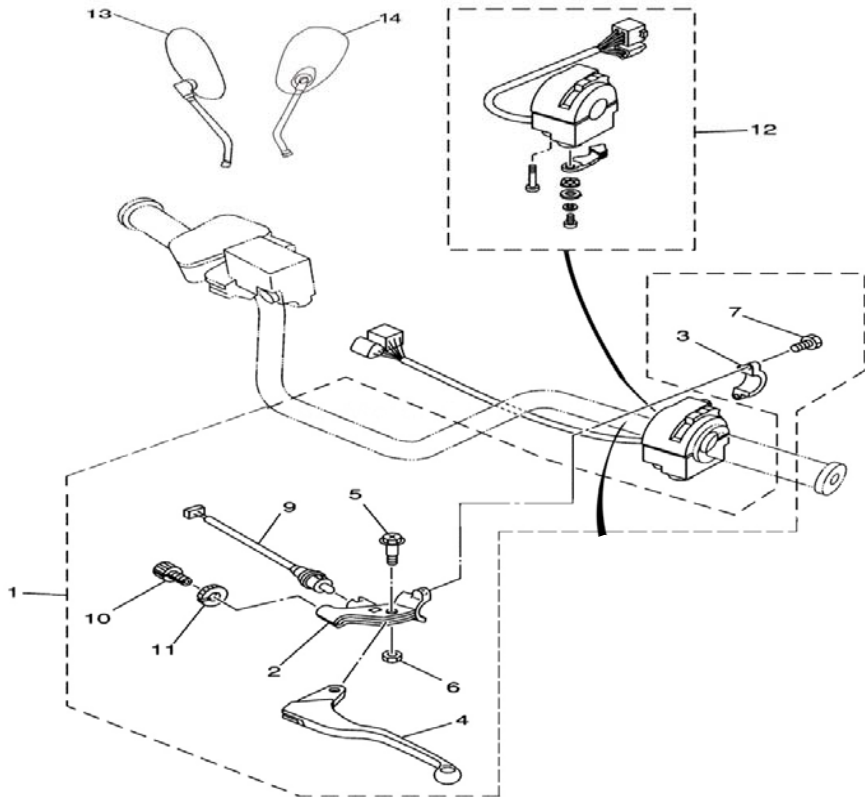
03、 RADIATOR HOSE PARTS



S/N	Parts Number	Part Name And Standard
1	203171001	Admitting Pipe
2	203171002	Pipe Clampφ20-30
3	203171003	Fan Assy
4	203171004	Two Side Cushion
5	203171005	Bush
6	201170008	Plain Cushion Φ6
7	106170023	Bolt M6×16
8	203171008	Wateradmitting Cap
9	203171009	Radiator Parts
10	203171010	Nut M6
11	203171011	Water Pipe
12	203171002	Pipe Ciamp18-32
13	232170012	Phillip Screw M6×25



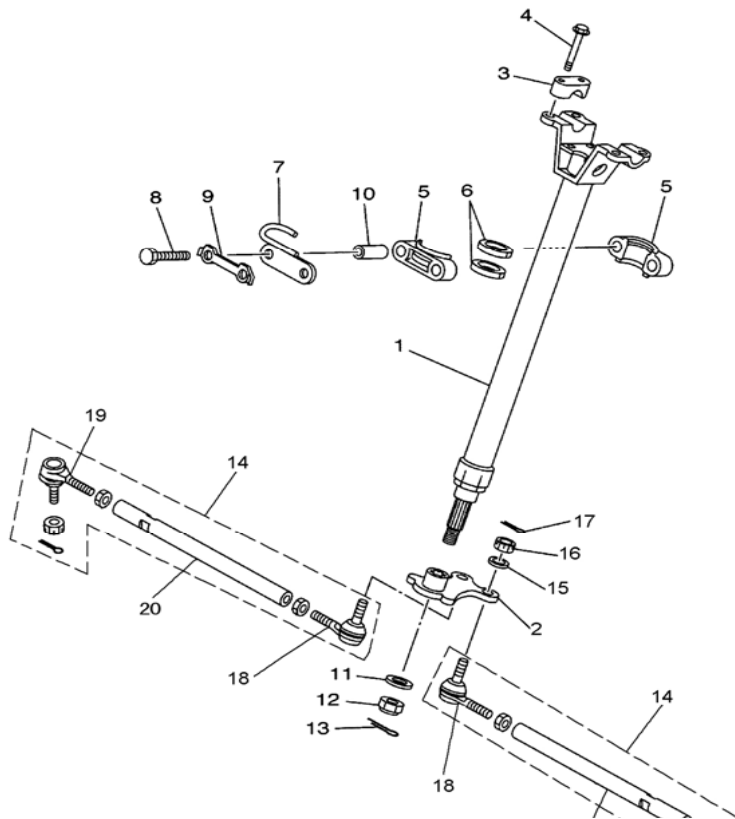
FIG. 205



05、 LEFT HANDLE BAR

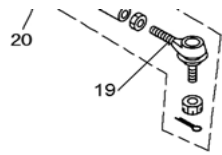
S/N	Parts Number	Part Name And Standard
1	205171001	Lever Assy,Front Brake
2	205171002	Lever,Front Brake
3	205171003	Stop Clip,Stop Brake
4	205171004	Press Plate,Lever Assy,Front Brake
5	205171005	Bolt,Stop Clip,Stop BrakeM6
6	205171006	Nut M6
7	106170023	Sexangle Flang Bolt M6×16
8	205171008	Nylon Self-Lock Bolt M5
9	205171009	Switch Assy,Front Brake
10	205171010	Adjusting Bolt,Cable,Stop Brake
11	205171011	Locked Nut,Cable,Stop Brake
12	205171012	Left Switch Assy
13	205171013	Left Rear View Mirror
14	205171014	Right Rear View Mirror Assy

FIG. 206



06、 STEERING STEM PARTS

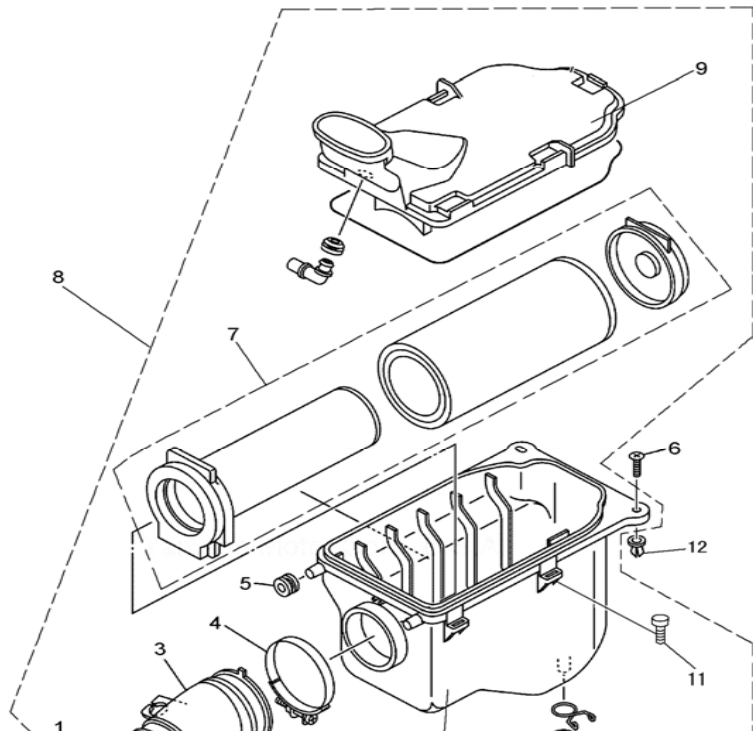
S/N	Parts Number	Part Name And Standard
1	206171001	Stem Steering Assy
2	206171002	Shift Swing Arm,Stem Steering
3	206171003	Press Plate,Stem Steering
4	206171004	Sexangle Flang Bolt M8×50
5	206171005	Internal&External Stand,Stem Steering
6	206171006	Stand Seal Washer,Stem Steering
7	206171007	Stand Bracket,Stem Steering
8	206171008	Sexangle Head Bolt M8×60
9	206171009	Stop Drive Washer,Press Plate,Stem Steering
10	206171010	Stand Collar,Stem Steering
11	206171011	Cushionφ14×Φ32×4
12	206171012	Nut M14,Sexangle Open Groove
13	212170020	Pin,Cotter 3.2×32
14	206171014	Shift Straight Rod
15	212170004	Plain Cushionφ12
16	212170019	Nut M12×1,Sexangle Open Groove
17	212170020	Pin,Cotter 3.2×32



18	206171018	Straight Rod In Gimbal
19	206171019	Straight Rod Out Gimbal
20	206171020	Straight

FIG. 207

07、 AIR FILTER PARTS



S/N	Parts Number	Part Name And Standard
1	207171001	Air Inlet Clamp,Carburetor,Air Cleaner
2	207171002	Small Air Inlet,Carburetor,Air Cleaner
3	207171003	Air Inlet,Carburetor,Air Leaner
4	207171004	Air Inlet Clamp,Carburetor,Air Cleaner
5	207171005	Front Two-Side Glue
6	207171006	Screw St6.2×25
7	207171007	Filter,Air Cleaner
8	207171008	Air Cleaner Assy
9	207171009	Air Cleane Cover
10	207171010	Air Cleanse Body
11	207171011	Head Screw M5×14, Cross Groove Plate
12	202171003	Plastic Nut Tapping

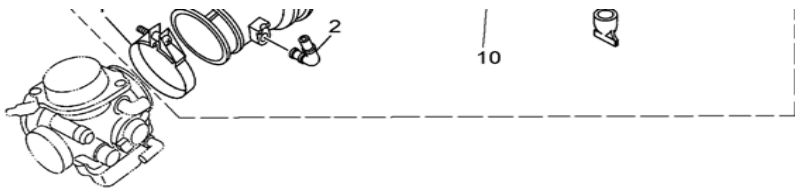
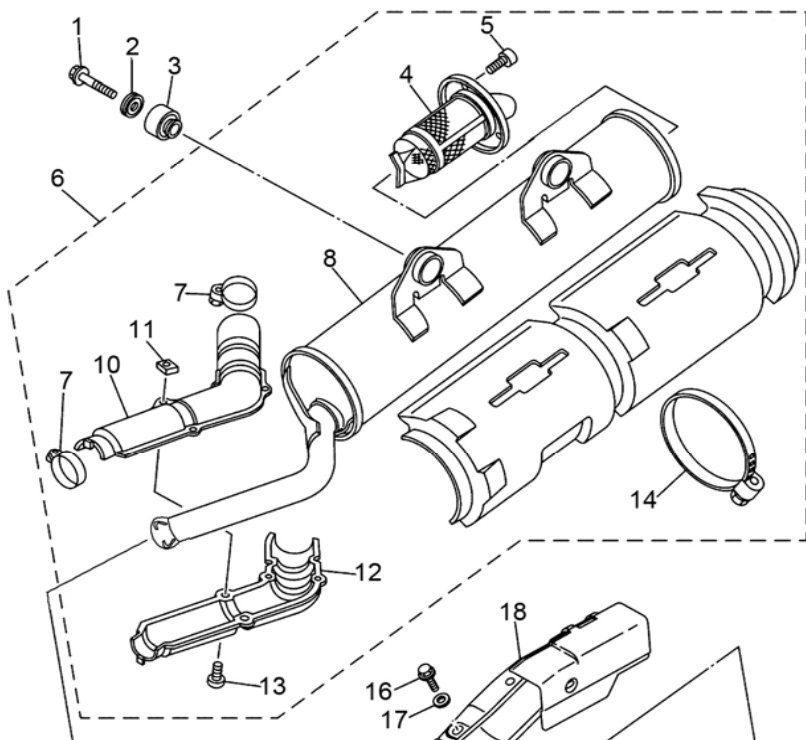
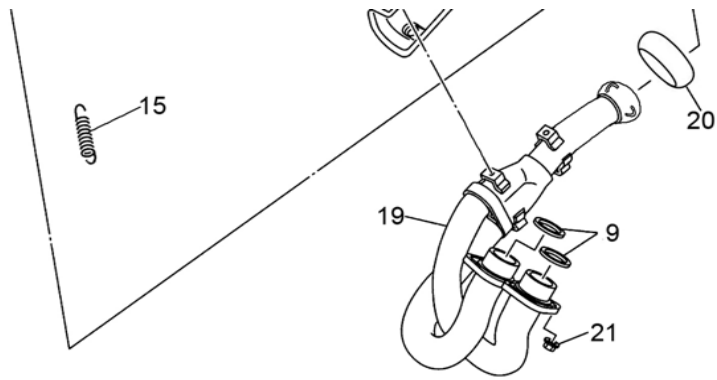


FIG. 208



08、MUFFLER

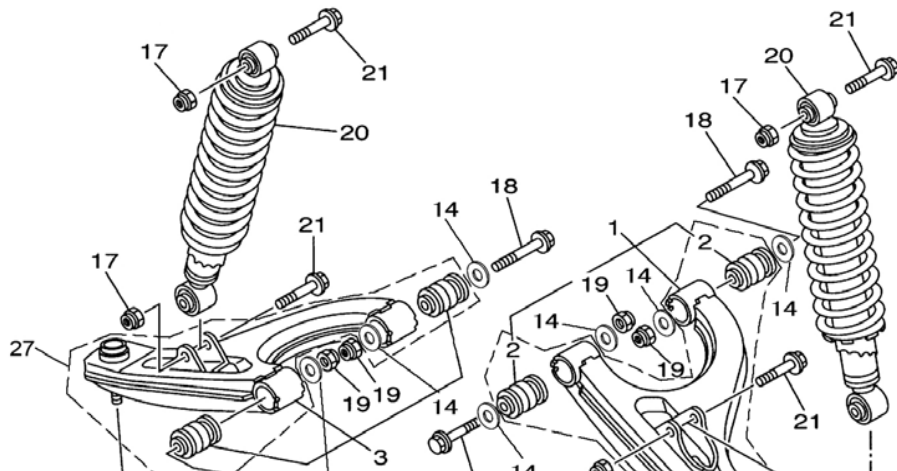
S/N	Parts Number	Part Name And Standard
1	231170012	Sexangle Flang Bolt M8×40
2	208171002	Cushion, Muffler
3	208171003	Collar, Muffler Suspension
4	208171004	Afterbody Of Muffler Exhaust
5	115170004	Inner Six-Angle Flange M6×10
6	208171006	Muffler Parts
7	208171007	Muffler Clamp II Φ33-Φ57
8	208171008	Muffler
9	208151009	Outlet Pipe Washer
10	208171010	Muffler Cover (Upper)
11	208171011	Nut M6
12	208171012	Muffler Cover (Lower)
13	208171013	Six Angle Bolt M6×8
14	208171014	Muffler Clamp I Φ130-Φ152



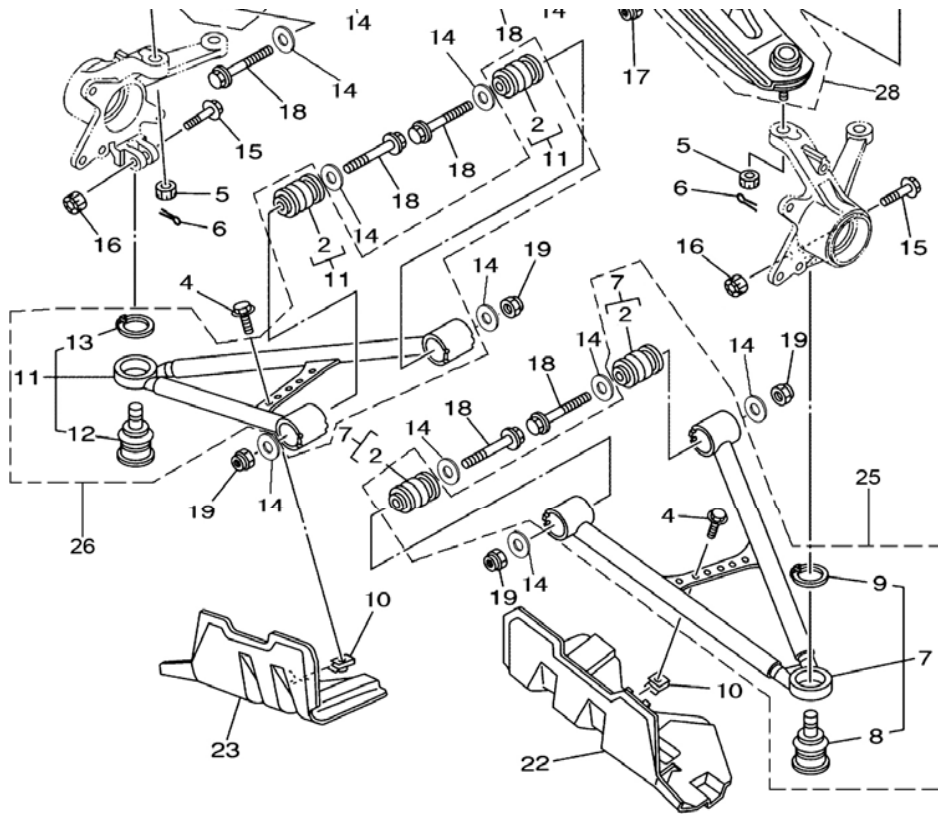
15	231170003	Exhaust Pipe Spring
16	201170009	Six-Angle Flange Bolt M6X12
17	201170008	Washer Φ6
18	208171018	Exhaust Pipe Cover
19	208171019	Exhaust Pipe Assy
20	208151020	O-Seal, Exhaust Pipe
21	208171021	Longer Nut M8

FIG. 209

09、 FRONT HANG PARTS



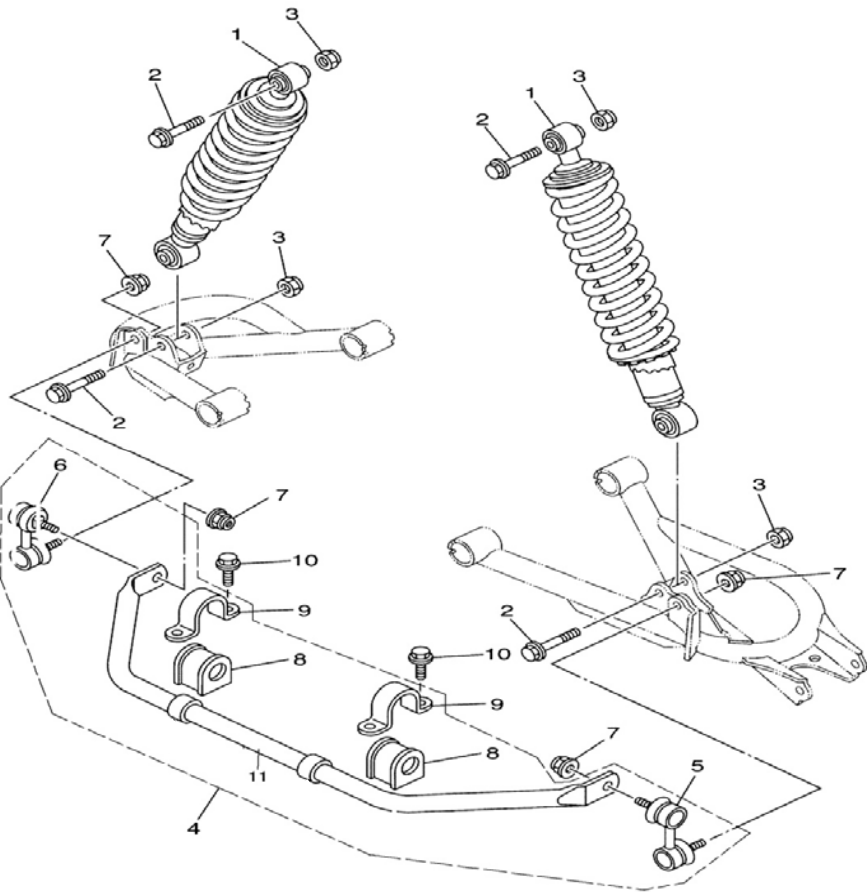
S/N	Parts Number	Part Name And Standard
1	209171001	Front Left Upper Shaft Arm
2	209171002	Distance Sleeve
3	209171003	Front Right Upper Shaft Arm
4	201170009	Sexangle Flang Bolt M6×12
5	209171005	Slotted Nut M10×1.25
6	212170020	Cotter Pin3.2×32
7	209171007	Front Left Lower Shaft Arm
8	209171008	Front Lower Gimbal Assy
9	209170006	Spring Circlip D0=30,Axle
10	209171010	Nut M6



11	209171011	Front Right Upper Shaft Arm
12	209171008	Front Lower Gimbal Assy
13	209170006	Spring Circlip D0=30,Axle
14	209171014	Washer
15	209171015	Six Angle Flang Bolt M10×1.25×40
16	209170011	Sexangle Locked Nut M10×1.25
17	209171017	Washer, Springφ10
18	207170005	Sexangle Flang Bolt M10×1.25×70
19	209170011	Sexangle Locked Nut M10×1.25
20	209171020	L,R Front Shock Absorber
21	209171021	Sexangle Flang Bolt M10×1.25×50
22	209171023	Protection Cover,Shaft Arm Under
23	209171024	Protection Cover,Shaft Arm Under
24		
25	209171025	Front Left Lower Shaft Arm Assy
26	209171026	Front Right Lower Shaft Arm Assy
27	209171027	Front Right Upper Shaft Arm Assy
28	209171028	Front Left Upper Shaft Arm Assy

FIG. 210

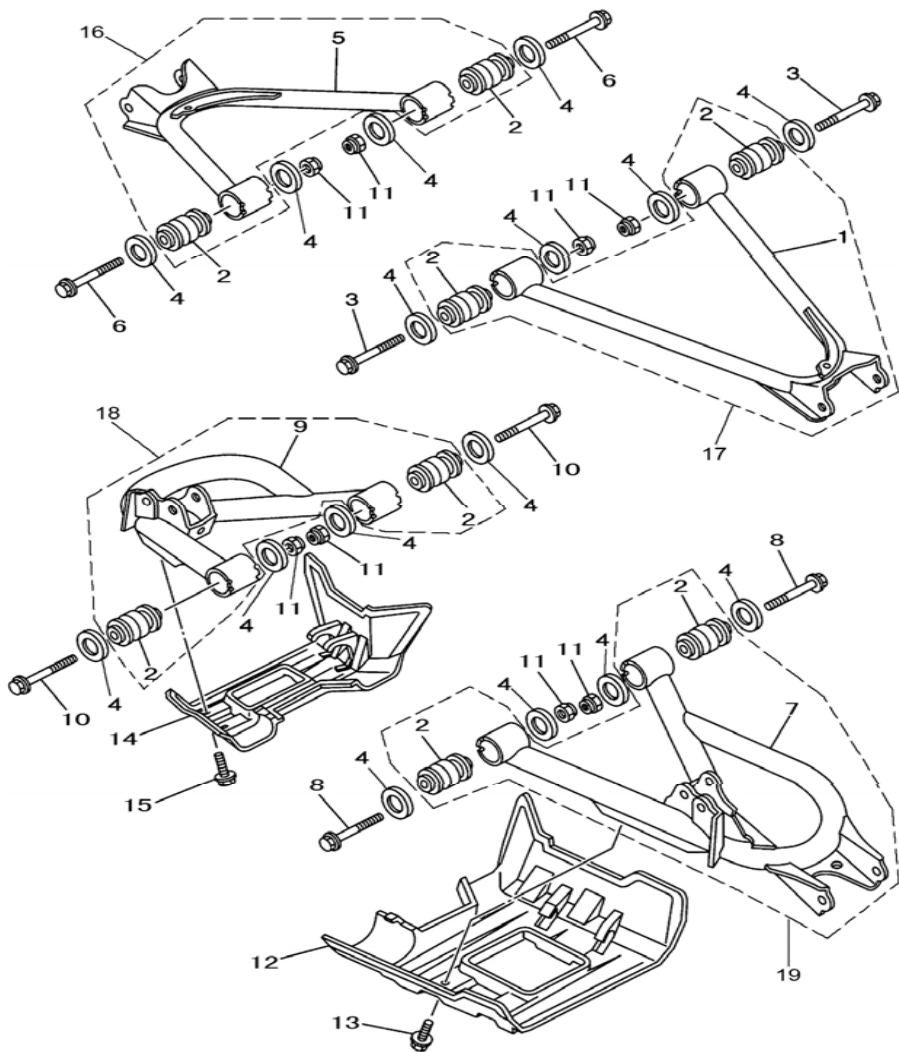
10、 REAR HANG



S/N	Parts Number	Part Name And Standard
1	210171001	Rear Shock
2	209171021	Six Angle Flang Bolt M10×1.25×50
3	202170005	Self-Locked Nut M10×1.25
4	210171004	Horizontal Tail Stick
5	208170007	Horizontal Tail Right Gimbal
6	208170006	Horizontal Tail Left Gimbal
7	202170005	Self-Locked Nut M10×1.25
8	210171008	Horizontal Tail Rubber Ring
9	210171009	Horizontal Tail Pressing Plate
10	202170048	Six Angle Flang Bolt M8×12
11	210171011	Balancing Pole Parts Rear Hang Frame

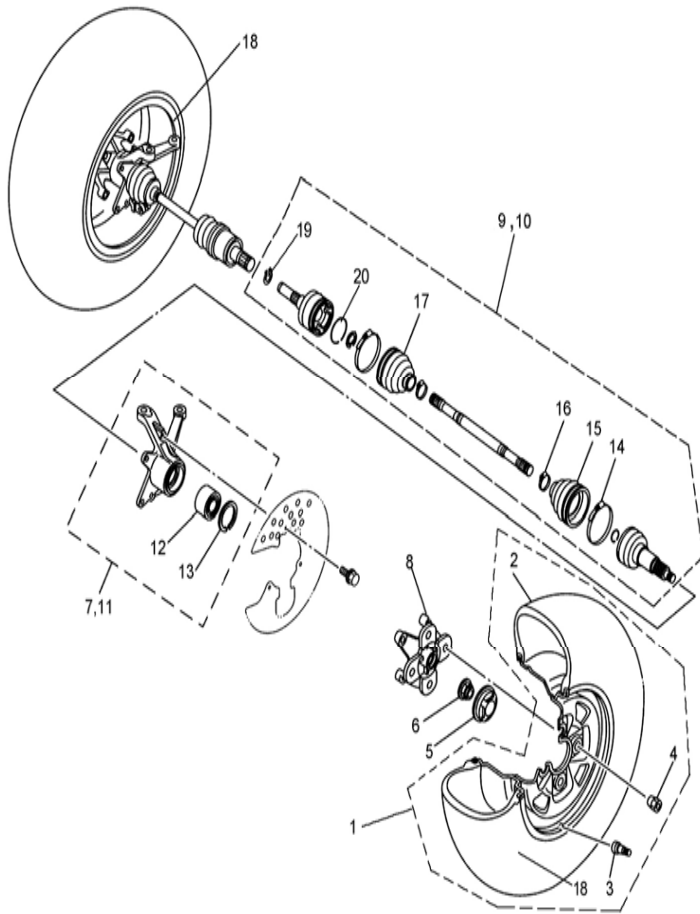
FIG. 211

11、 REAR SWING ARM		
S/N	Parts Number	Part Name And Standard



1	211171001	Rear Left Upper Shaft Arm
2	209171002	Distance Sleeve(L,R Front Shaft Arm)
3	207170005	Six Angle Flang M10×1.25×70
4	211171004	Arm Buffer Copy Washer
5	211171005	Rear Right Upper Shaft Arm
6	207170005	Six Angle Flang M10×1.25×70
7	211171007	Rear Left Lower Shaft Arm
8	207170005	Six Angle Flangm10×1.25×70
9	211171009	Right Lower Shaft Arm
10	207170005	Six Angle Flang M10×1.25×70
11	209170011	Six Angle Self-Locked M10×1.25
12	211171012	Left Lower Shaft Arm Assy
13	201170009	Six Angle Flang Bolt M6×12
14	211171014	Right Lower Shaft Arm Assy
15	201170009	Six Angle Flang Bolt M6×12
16	211171016	Rear Right Upper Shaft Arm Assy
17	211171017	Rear Left Upper Shaft Arm Assy
18	211171018	Right Lower Shaft Arm Assy
19	211171019	Rear Left Lower Shaft Arm Assy

FIG.212

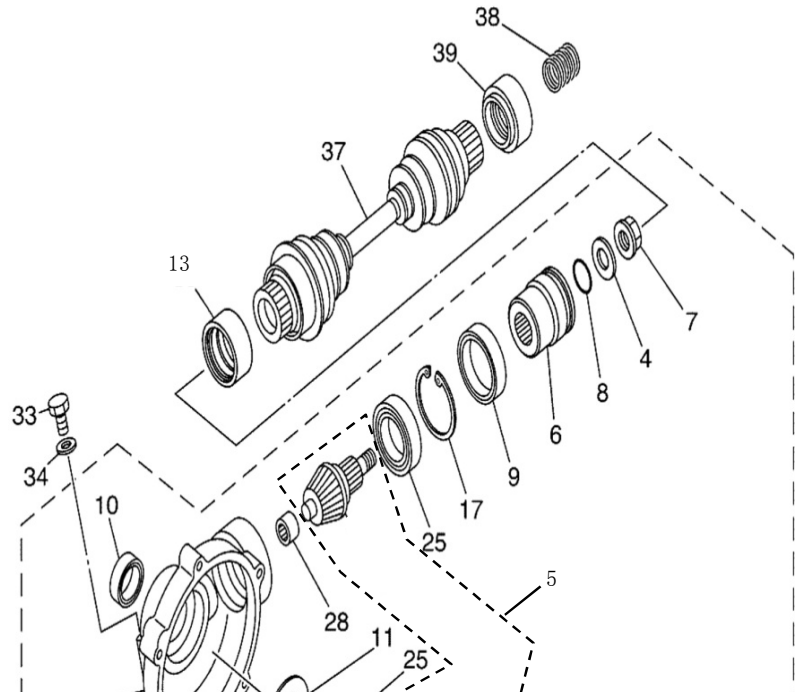


12、 FRONT TRANSMISSION PART

S/N	Parts Number	Part Name And Standard
1	212171001	Front Wheel 12×6
2	214170002	Front Tire 25×8
3	212171003	Valve Inside
4	212171004	Nut M10×1.25
5	212171005	Dust Cover
6	212171006	Self Locked Nut M14
7	212171007	Left Front Horn Assy
8	212171008	Soleplate, Front Wheel Hub
9	212171009	Left Front Constant Speed Gimbal Assy
10	212171010	Right Front Constant Speed Gimbal Assy
11	212171011	Right Front Turning Bracket Assy
12	212171012	Front Turning Bracket Bearing
13	212171013	Spring Ring For Hole φ57
14	212171014	Stainless Steel Hoop (Big)
15	212171015	Out Rubber Cover
16	212171016	Stainless Steel Hoop (Small)
17	212171017	In Rubber Cover
18	212171018	Front Wheel Rim

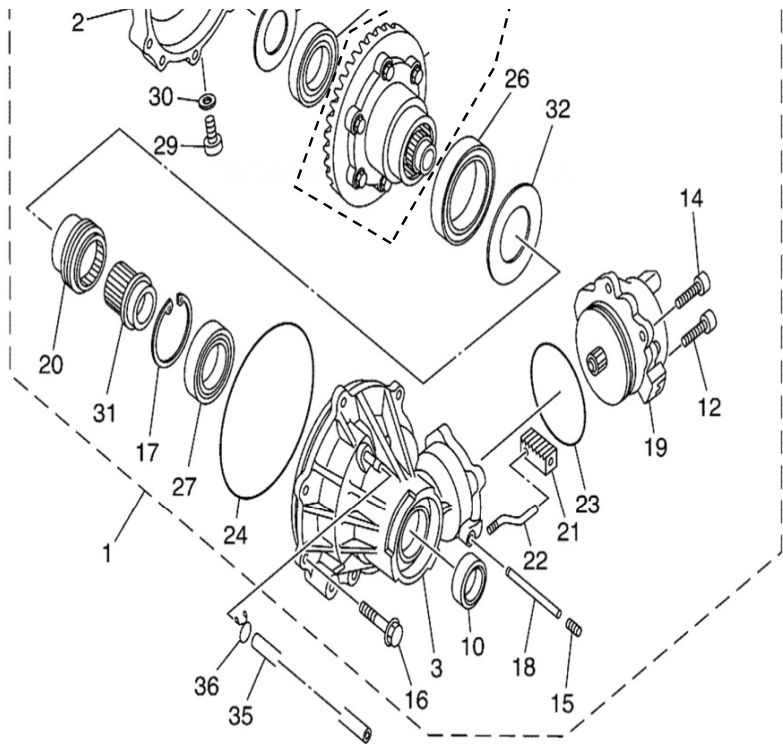
19	212171019	Left Front Clip ϕ 19.5
20	212171020	Right Front Clip ϕ 22.5

FIG.213



13、 FRONT DIFFERENTIAL & FRONT AXLE ASSY

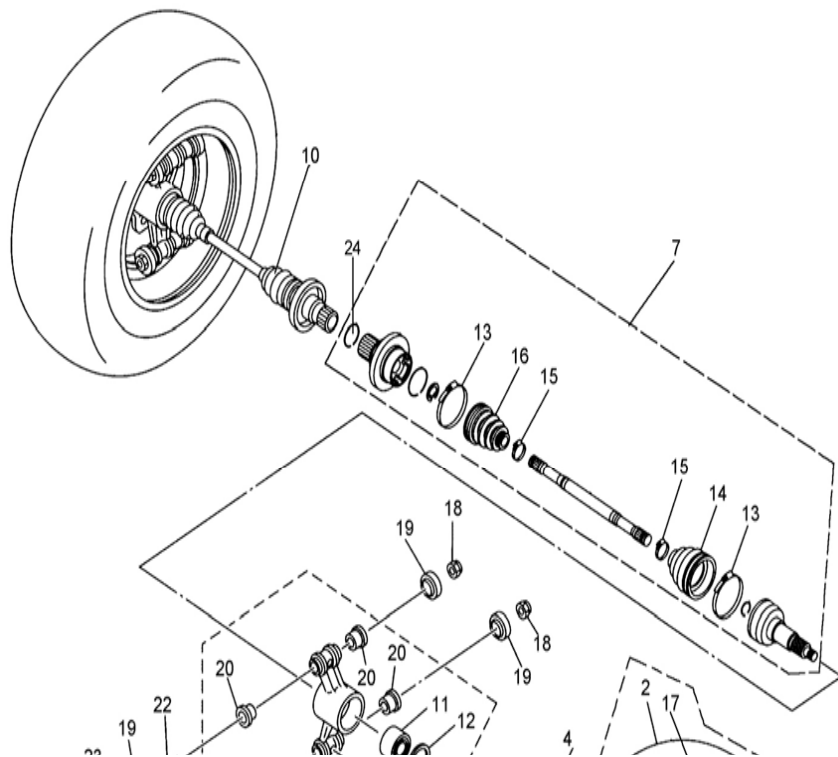
S/N	Parts Number	Part Name And Standard
1	213171001	Gearshift Assy,Front Bridge
2	213171002	Front Bridge Box Casing
3	213171003	Box Casing Cover
4	206170030	Plain Cushion ϕ 10
5	213171005	Drivingtooth,Front Bridge
6	213171006	Fit Bracket Drive Chain
7	213171007	Locked Nut M14 \times 1.5
8	213171008	O-Ring ϕ 14 \times D= Φ 7
9	213171009	Oil Seal ϕ 48 \times 65 \times 9
10	213171010	Oil Seal ϕ 24 \times 38 \times 8
11	213171011	Adjusting Gasket I Φ 50 \times 61.5 \times 0.2
12	213171012	Power Transfer Bolt M8 \times 20
13	213171013	Dust Cover,Front Transmission Shaft
14	213171014	Cap Screw M8 \times 25
15	206170014	Cap Screw M8 \times 10



16	210170007	Six Angle Flang Bolt M10×25
17	213171017	Circlip D0=62
18	213171018	Cylindrical Pinφ5×75
19	213171019	Piwer Transfer Assy
20	213171020	Rotary Joint Sliding Sleeve
21	213171021	Rack
22	213171022	Poking Fork
23	213171023	O-Ring,Power Transferφ81×D=Φ2
24	213171024	O-Ringφ140×D=Φ2.4
25	206170023	Bearing6007Rφ35×Φ62×14
26	213171026	Bearing6912Φ60×Φ85×13
27	213171027	Bearing16007Φ35×Φ62×9
28	213171028	Needle Roller Bearing Hk152112Φ15×Φ21×12
29	213171029	Change Oil Bolt M10×1.25×15
30	213171030	Copper Gasketφ10×1.5
31	213171031	Power Transfer Coupling
32	213171032	Adjustinggasket II ,Differentialφ71×Φ83×Δ=0.2
33	213171033	Bolt M14×1.5×10
34	213171034	Copper Gasketφ14×1.5
35	213171035	Air Ventφ4.5×L=700
36	213171036	Circlip,Oil Pipeφ7.2×D=Φ1

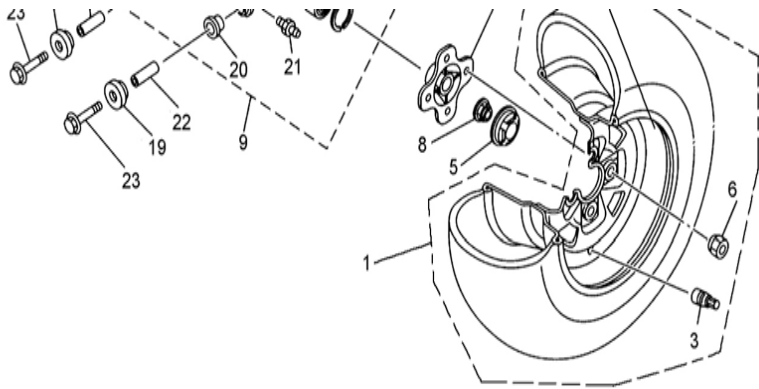
37	213171037	Front Transmission Shaft
38	213171038	Spring,Front Transmission Shaft

FIG.214



14、 REAR WHEEL

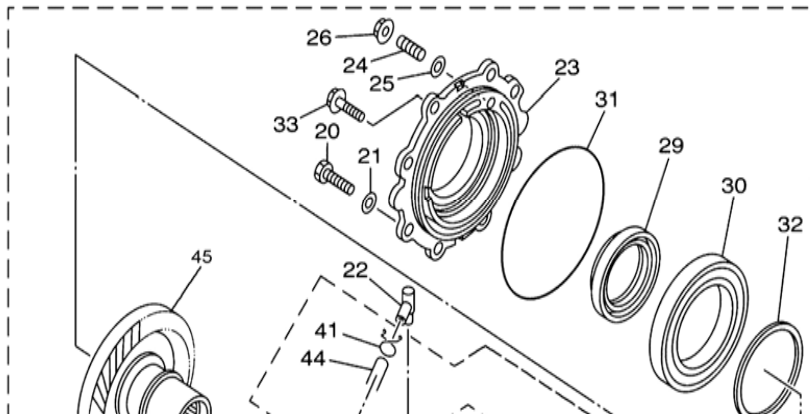
S/N	Parts Number	Part Name And Standard
1	214171001	Rear Wheel
2	214171002	Rear Tire At25×10
3	214171003	Rear Valve Inside
4	214171004	Rear Wheel Hub
5	212171005	Duat Cover,Wheel Rim
6	212171004	Rear Wheel Rim Fixing Bolt M10
7	214171007	Gimbalassy
8	214171008	Self Locked Nut M20×1.5
9	214171009	Rear Turning Bracket Assy
10	214171010	Gimbalassy
11	214171011	Rear Turning Bracket Bearing
12	214171012	Spring Ring For Holeφ55
13	212171014	Stainless Steel Hoop(Big)
14	214171014	Out Rubber Cover
15	212171016	Stainless Steel Hoop(Small)



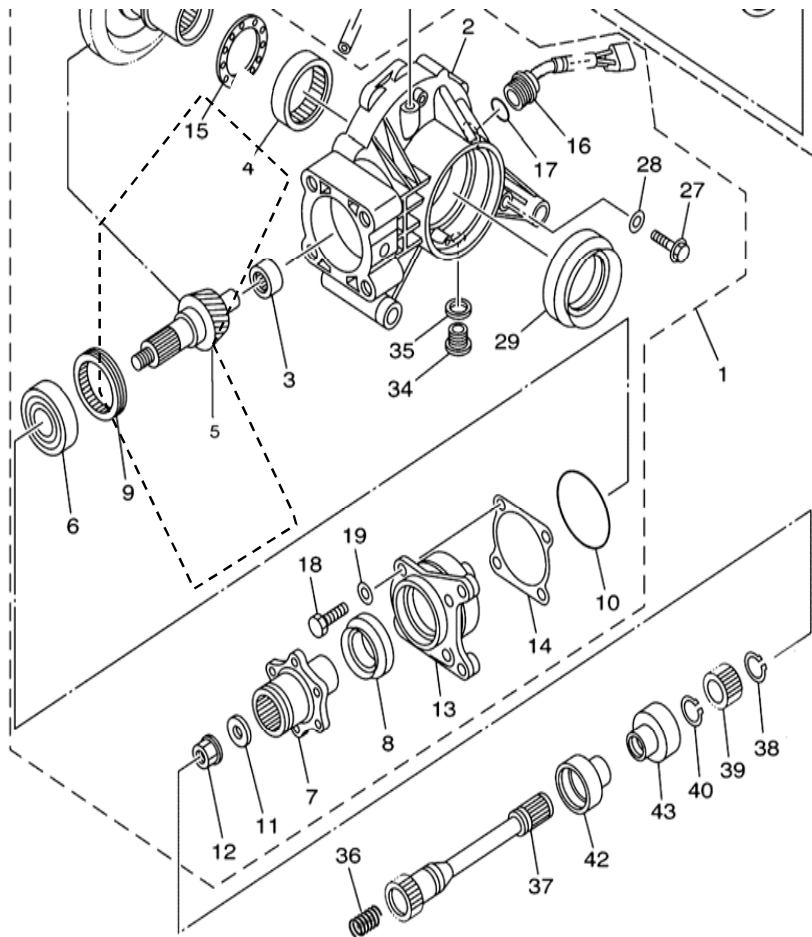
16	214171016	In Rubber Cover
17	214171017	F103 Rear Wheel Rim I
18	215170014	Nut M10×1.25
19	214171019	Rear Turning Bracket Cover
20	214171020	Rear Turning Bracket Shaft Liner
21	214171021	Oiling Nib
22	214171022	Rear Turning Bracket Shaft Tube
23	214171023	Six Angle Bolt M10×1.25×95
24	214171024	Rear Clipφ40.5

FIG.215

15、 REAR DIFFERENTIAL & REAR AXLE ASSY



S/N	Parts Number	Part Name And Standard
1	215171001	Differfntial Gear,Rear Axle Differential Gear
2	215171002	Rear Axle Case
3	205170003	Needle Bearing Hk223013
4	205170004	Needle Bearing Hk556720
5	215171005	Rear Axle Gear Set
6	215171006	Clamping Bush
7	215171007	Soleplate,Rear Disc Brake
8	215171008	Oil Sealφ33.5×Φ61×13.5



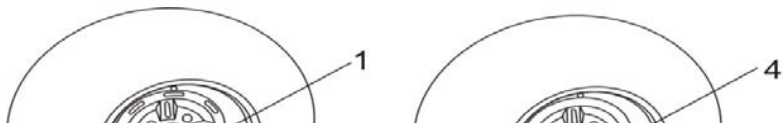
9	105170022	Bearing6305Φ25×Φ62×17
10	215171010	O-Ring,Rear Drving Gearφ3.1×Φ63.8
11	215171011	Plain Cushionφ12×Φ30×4
12	215171012	Nut M12×1.25
13	215171013	Soleplate,Rear Driving Gear
14	215171014	Rear Adjusting Gasket I Φ78×Δ=0.1,0.2,0.5
15	215171015	Rear Adjusting Gasket II Φ55.2×Φ66.8×1.7
16	215171016	Sensor,Speed
17	215171017	O-Ringφ19.4×Φ2.3
18	215171018	Six Angle Bolt M8×35
19	205170030	Plain Cushionφ8
20	210170007	Six Angle Bolt M8×25
21	205170030	Plain Cushionφ8
22	215171022	Zinc Alloy Flowing Bean
23	215171023	Case Cover,Rear Axle
24	215171024	Dcap Screw M8×45
25	215171025	Copper Gasketφ8×Φ15×1
26	202170024	Flang Nutm8
27	202170048	Six Flang Bolt M8×12
28	215171028	Copper Gasketφ15×Φ8.2×1
29	215171029	Oil Sealφ65×Φ90×9

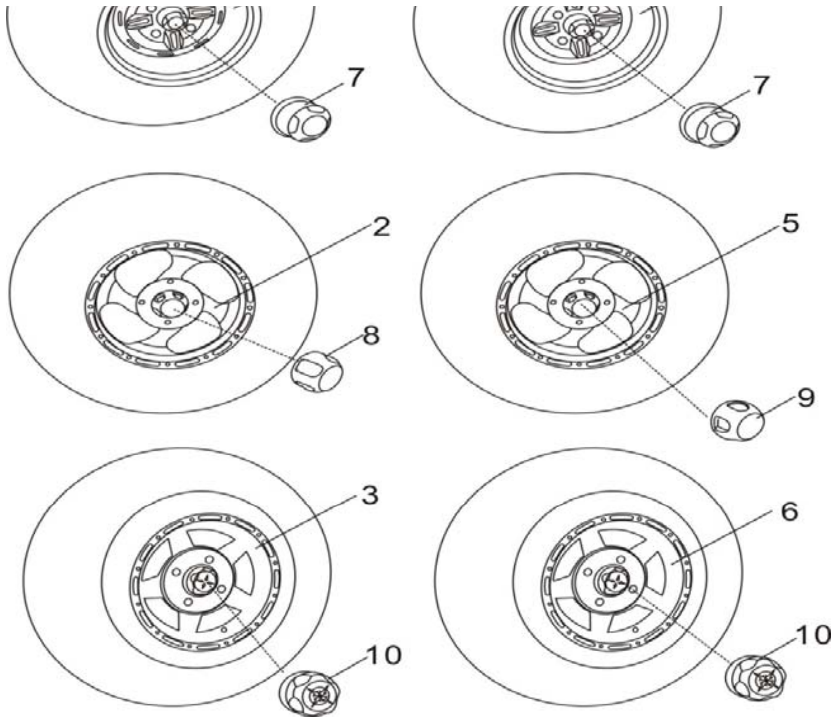
30	205170026	Bearing16017Φ85×Φ130×14
31	215171031	O-Ring,Rear Axle Case Coverφ3.1×Φ150
32	215171032	Rear Adjusting GasketIIIΦ100×Φ86×Δ=0.1,0.2,
33	202170038	Six Angle Flang Bolt M10×1.25×25
34	206170033	Bulkhead M14×1.5×15
35	215171035	Copper Gasketφ14×1.5
36	215171036	Spring,Rear Axle Transmission Shaftφ14×Φ1.8×46
37	215171037	Rear Axle Transmission Shaft
38	205170038	Circlipφ17.5×1
39	215171039	Joinsleeve,Rear Axle Transmission Shaft
40	205170036	Circlipφ20.5×1
41	215171041	Hoopφ9×Φ1
42	215171042	Front Dust Cover,Rear Axle Transmission Shaftφ46×Φ23.5×35
43	215171043	Rear Dust Cover,Rear Axle Transmission Shaftφ40.7×Φ19×30
44	215171044	Overflow Pipeφ4.5×800

FIG.216

16、 FRONT & REAR DIFFERENT STYLE RIM

S/N	Parts Number	Part Name And Standard
1	216171001	F103 Front Steel Wheel I
2	216171002	F104 Front Steel Wheel II

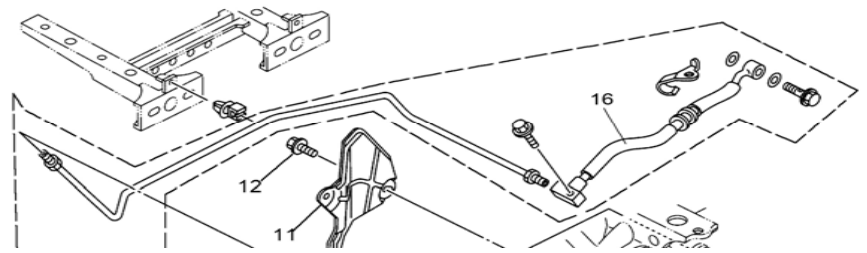




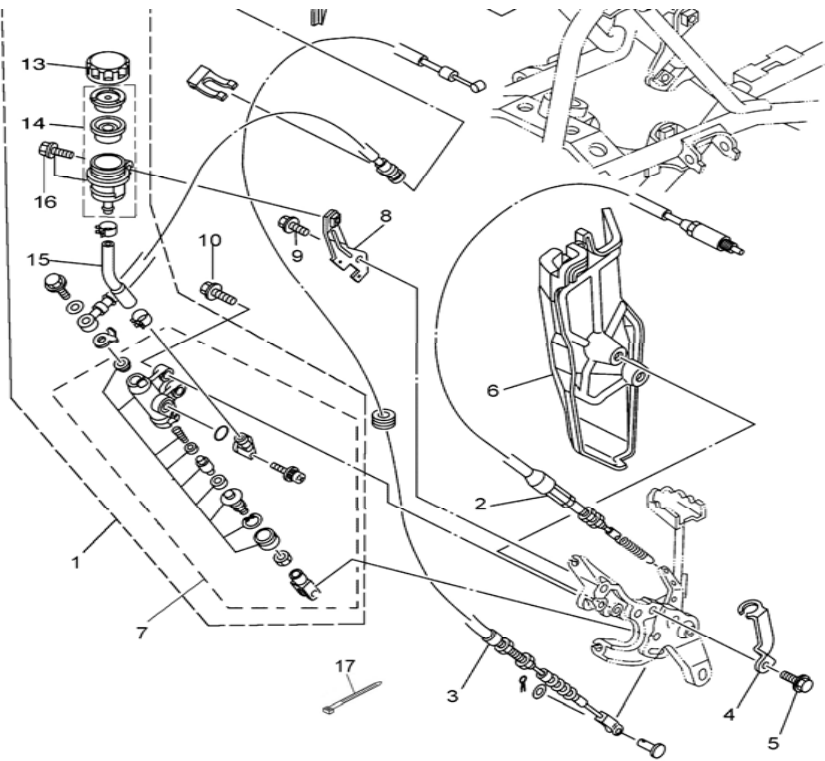
3	216171003	F109 Front Steel Wheel III
4	214171017	R103 Rear Steel Wheel I
5	216171005	R104 Rear Steel Wheel II
6	216171006	R109 Rear Steel Wheel III
7	212171005	Z103 Center Caps
8	216170008	Z104 Center Caps
9	216170009	Z105 Center Caps
10	216170010	Z107 Center Caps

FIG.217

17、 REAR-MASTER-CYLINDER PART

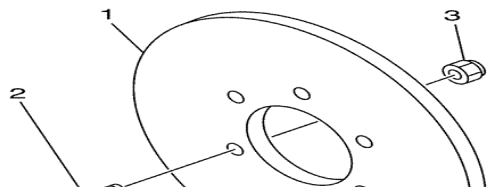


S/N	Parts Number	Part Name And Standard
1	217171001	Rear Disc Brake Assy
2	217171002	Gear Shift Cable
3	217171003	Rear Brake Cable Assy
4	217171004	Swith Bracket



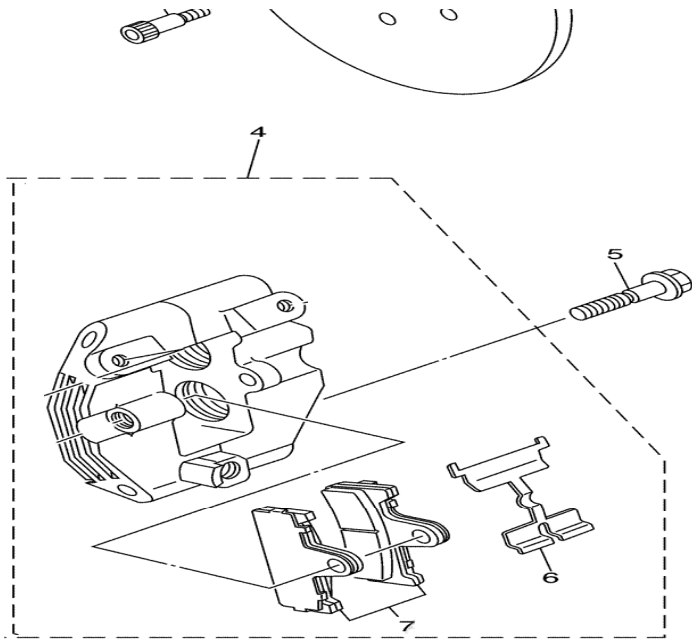
5	201170009	Sexangle Flang Bolt M6×12
6	217171006	Pedal Protection Plate
7	217171007	Rear Brake Cilinder
8	217171008	Bracket
9	208171013	Sexangle Flang Bolt M6×8
10	210170007	Sexangle Flang Bolt M8×25
11	217171011	Resist-Heat Plate
12	201170009	Sexangle Flang Bolt M6×12
13	217171013	Rear Brake Oil Cup Cover
14	217171014	Rear Brake Oil Cup
15	217171015	Rear Brake Oil Cup Vitta
16	217171016	Rear Brake Oil Pipe
17	217171017	Belt (L=100)

FIG.218



18、 REAR DISC BRAKE PLATE

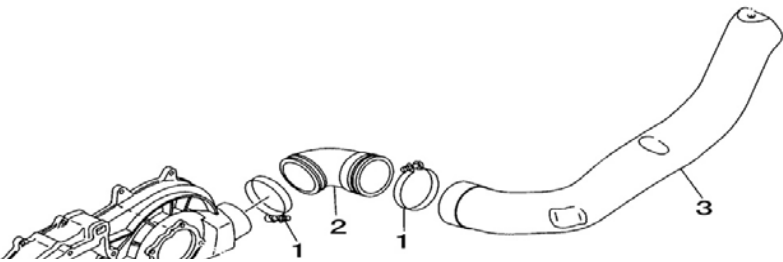
S/N	Parts Number	Part Name And Standard
1	218171001	Rear Disc Brake Plate
2	218171002	Bolt M6×30
3	218171003	Nutm6



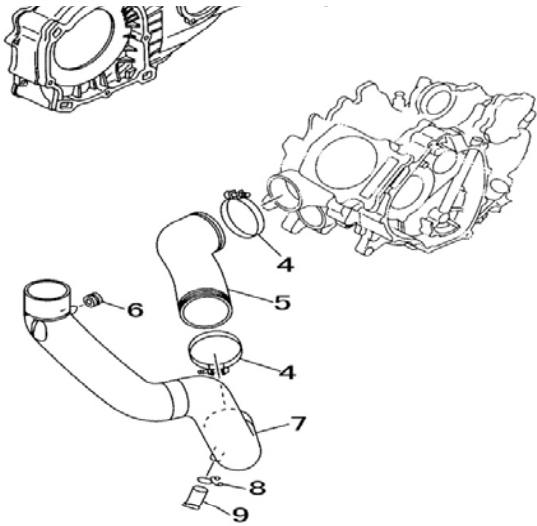
4	218171004	Input Disk Brake (Epa)
5	212170012	Bolt M10×1.25×30
6	218171006	Rear Disk Brake Support Clip
7	218171007	Disk Brake Piece (Epa)

FIG.219

19、 CRANKCASE COVER 1



S/N	Parts Number	Part Name And Standard
1	219171001	Air-Out Pipe Joint,Clutch
2	219171002	Air-Out Pipe Joint,Clutch
3	219171003	Air-Out Pipe
4	219171004	Air-Out Pipe Joint Circlip,Clutch
5	235170007	Air-In Pipe Joint Cushion

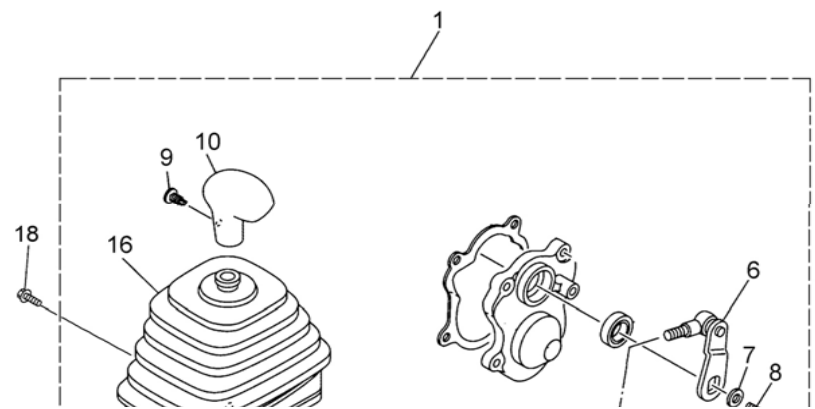


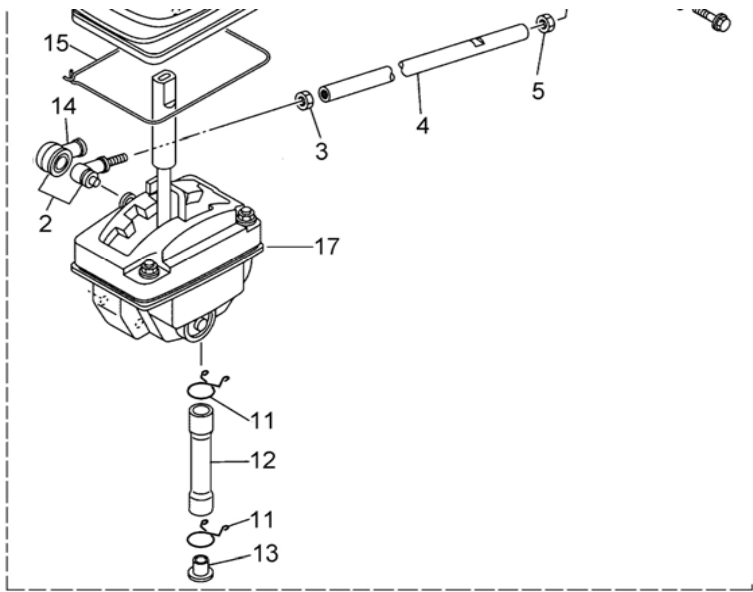
6	219171006	Two Faces Glue
7	219171007	Air-In Pipe
8	219171008	Waste Waterφ14
9	219171009	Waste Water

FIG.220

20、 GEARSHIFT COMP

S/N	Parts Number	Part Name And Standard
1	220171001	Gear Shift Mechanism Assy
2	220171002	Body Gimbal
3	220171003	Nut M6
4	220171004	Pipe Link
5	220171005	Nut M12
6	220171006	Tie Bar Gimbal
7	201170008	Plain Cushionφ6



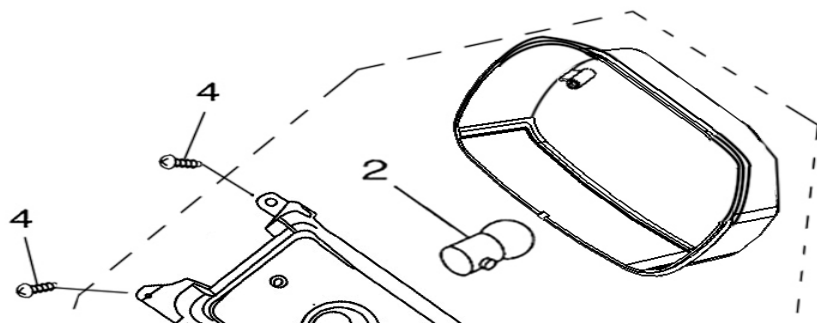


8	201170009	Bolt
9	220151009	Plastic Screw
10	220171010	Handle
11	220171011	Pipe Clipφ14
12	220171012	Stream Tube
13	220171013	Stream Tube Plug
14	220171014	Dustproof Cover
15	220171015	Steel Wire Loop
16	220171016	Dustproof Cover
17	220171017	Gear Shift Mechanism Body
18	202170038	Six -Angle Flange Bolt M10×25

FIG.221

21、 TAIL LIGHT

S/N	Parts Number	Part Name And Standard
1	221151001	Tail Light Assy
2	221151002	Bulb12V5W/21W
3	221171003	Light Holder
4	219170012	Tapping Screw3.9×16



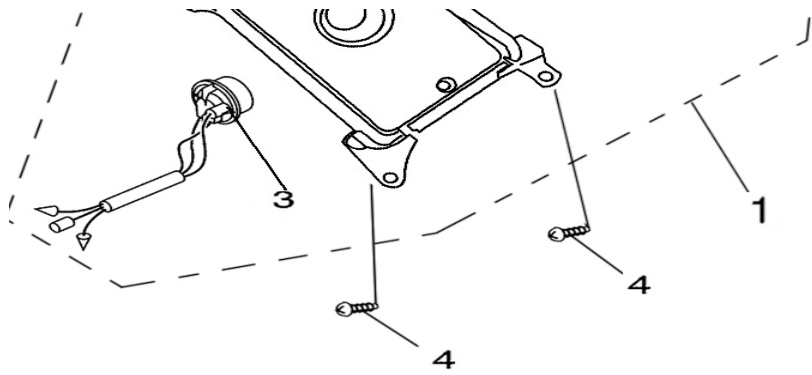
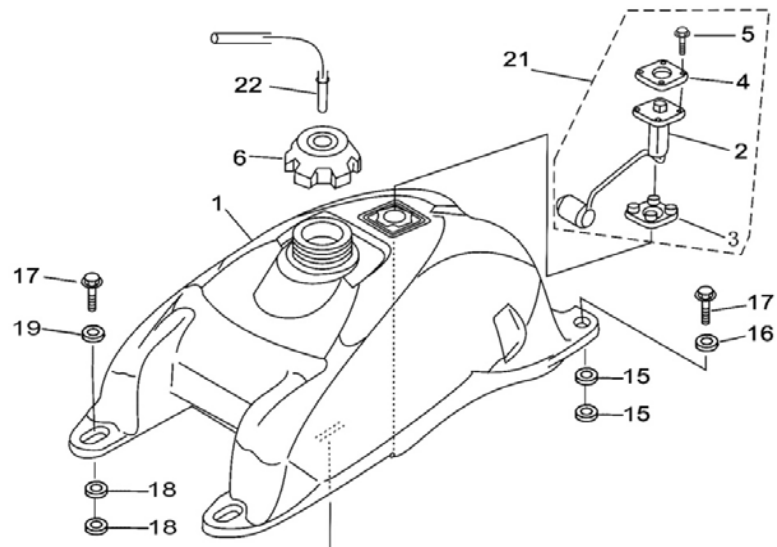
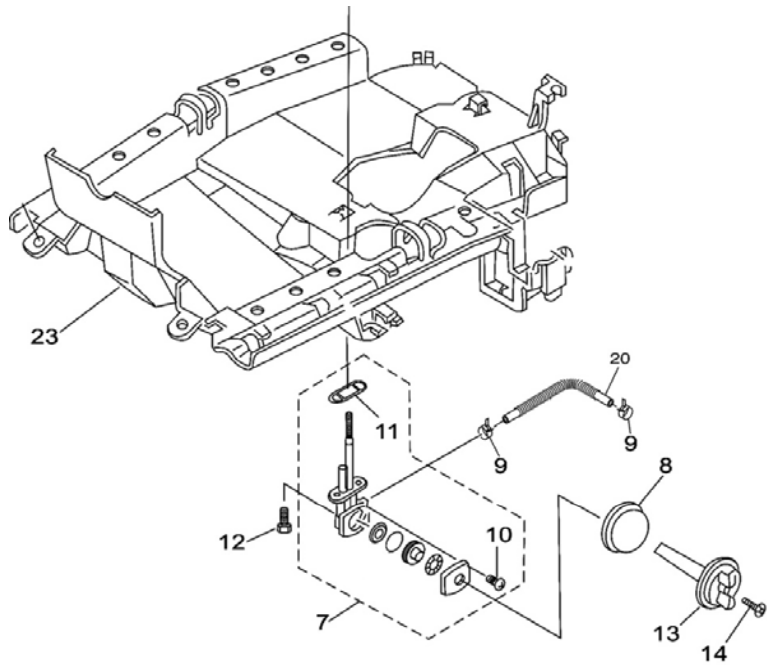


FIG.222

22、 FUEL TANK



S/N	Parts Number	Part Name And Standard
1	222171001	Fuel Tank Comp
2	222171002	Sensor
3	222171003	Gasket
4	222171004	Holder
5	222171005	Sexangle Flang Bolt M5×14
6	211170025	Fuel Tank Cap
7	222171007	Fuel Switch
8	222171008	Handle Cover
9	222171009	Pipe Ciampφ11
10	211170021	Head Screw M5×12,Cross Groove Plate

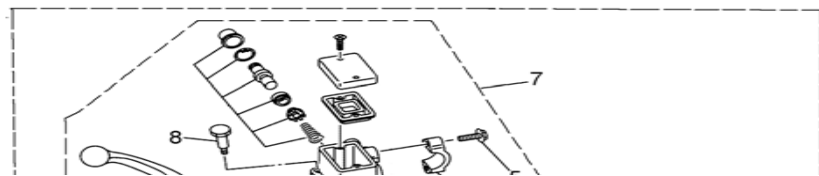


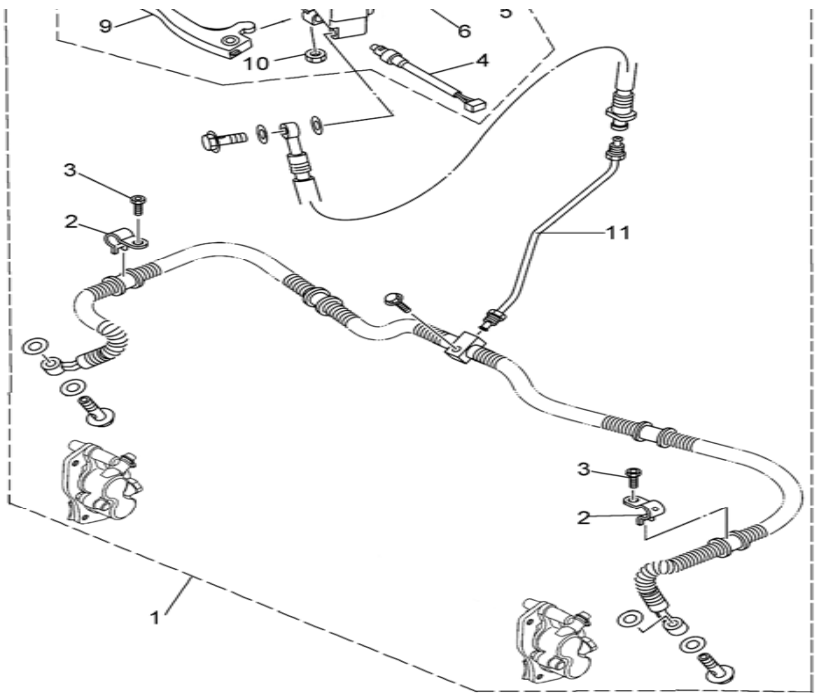
11	222171011	Connecting Seal Gasket
12	211170021	Head Screw M5×12,Cross Groove Plate
13	222171013	Fuel Switch Lever
14	222171014	Head Screw M4×15,Cross Groove Plate
15	222171015	Washer Φ6×Φ25×2
16	222171016	Washer Φ6×Φ25×1
17	106170003	Sexangle Bolt M6×30
18	222171015	Washer Φ6×Φ25×2
19	222171016	Washer Φ6×Φ25×1
20	222171020	Fuel Tubeφ6.5×Φ11
21	222171021	Sensor
22	222171022	Breather Pipe,Fuel Tank Capφ5×Φ9
23	222171023	Fuel Tank Guard

FIG.223

23、 DISK BRAKE FUEL PUMP

S/N	Parts Number	Part Name And Standard
1	223171001	Front Disk Brake Assy (Epa)
2	223171002	Front Oil Pipe Clip
3	201170009	Bolt M6×12





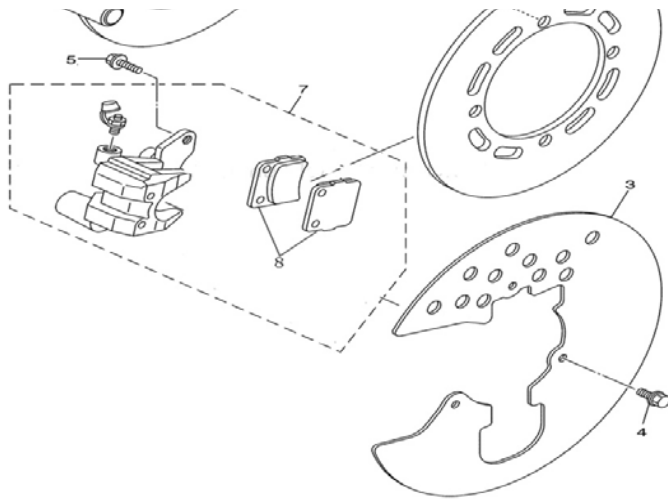
4	223171004	Front Brake Switch Cable
5	223171005	Bol M5×25
6	223171006	Main Pump Nip
7	223171007	Front Brake Pump
8	223171008	Bolt For Handle
9	223171009	Front Brake Handle
10	208170008	Nut M8
11	223171011	Front Disk Brake Oil Pipe (Epa)

FIG.224

24、 DISK BRAKE INPUT

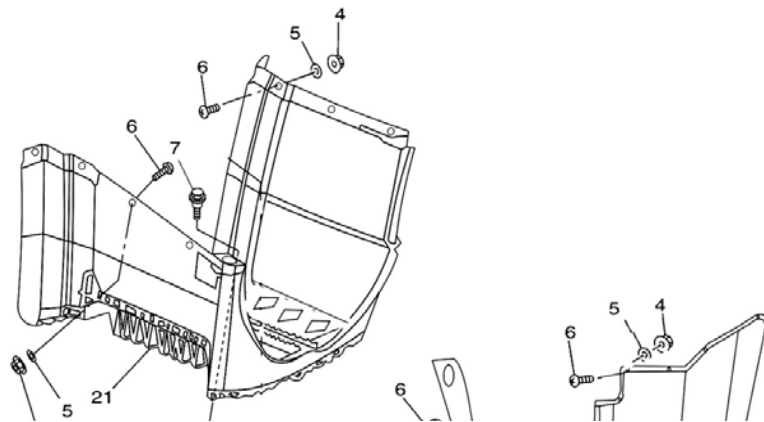


S/N	Parts Number	Part Name And Standard
1	224171001	Front Brake Plate
2	224171002	Cap Screw M8×20
3	224171003	Protective Cover,
4	203170015	Six Angle Flang Bolt M6×12



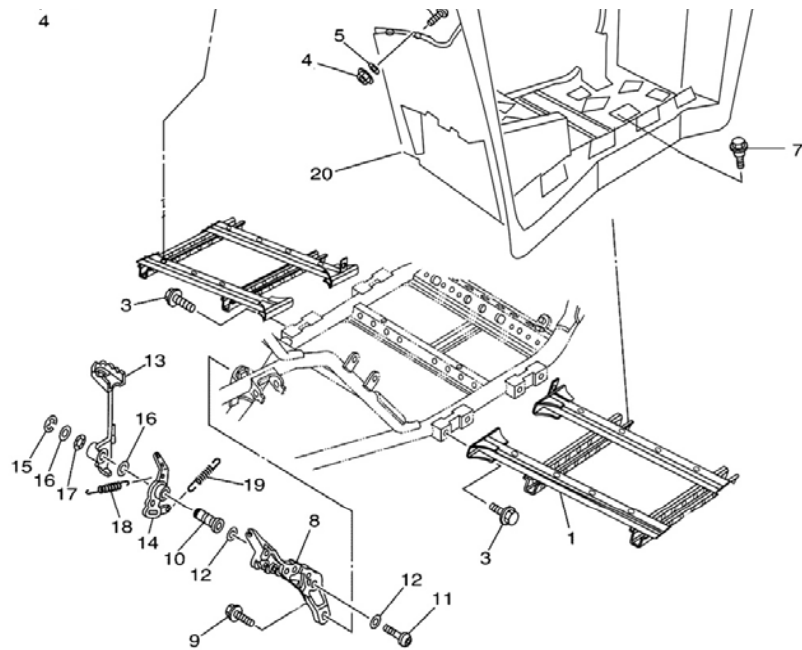
5	224171005	Six Angle Flang Bolt M8×14
6	224171006	Input, Left Disk Brake (Epa)
7	224171007	Input Right Disk Brake (Epa)
8	224171008	Disk Brake Piece (Epa)

FIG.225



25、 L&R FOOT REST

S/N	Parts Number	Part Name And Standard
1	225151001	Left Pedal Bracket
2	225151002	Right Pedal Bracket
3	223170021	Bolt M8×12,
4	225171004	Sixangle Locked Nut M6
5	225171005	Piam Cushion Φ6
6	232170012	Screw M6×25
7	225171007	Bolt M6×16-Φ10×4
8	225171008	Connecting Seat



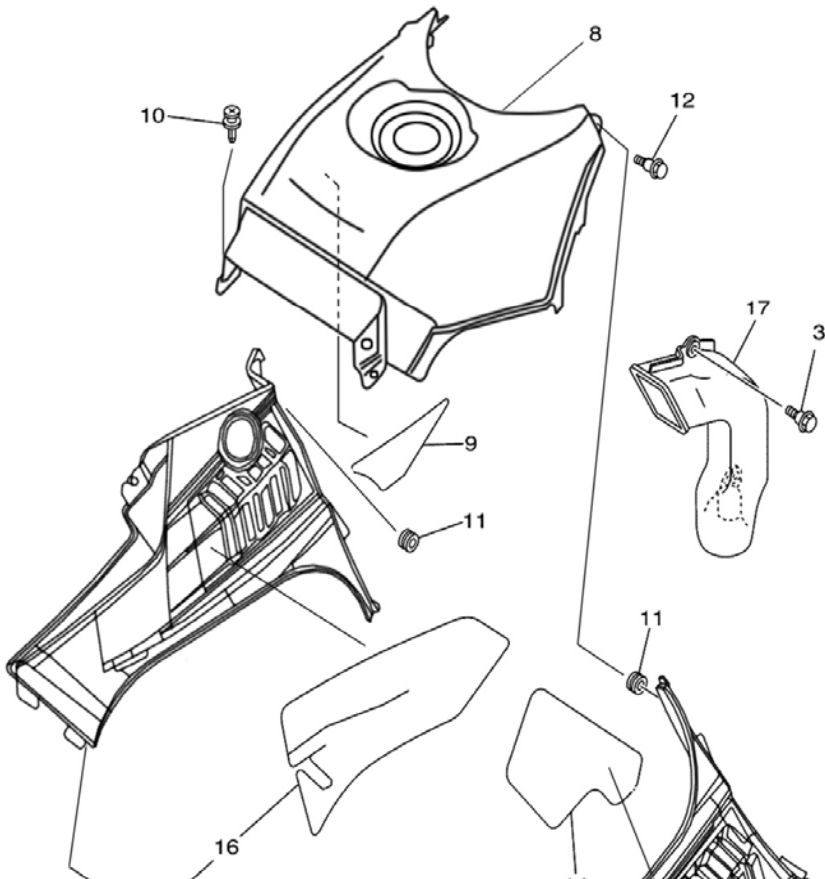
9	210170007	Bolt M8×25,
10	225171010	Rear Brake Pedal Pin Shaft
11	225171011	Bolt M8×30
12	225171012	Cushion Φ8
13	225171013	Read Brake Pedal
14	225171014	Rear Brake Pedal
15	225171015	Clip Spring,Rear Brake Pedalφ12
16	225171016	Cushion Φ14
17	225171017	Wave-Shaped Gasketφ14
18	225171018	Return Spring
19	225171019	Return Spring
20	225151020	Left Foot Pedal Comp
21	225151021	Right Foot Pedal Comp
22	225171005	Washer Φ6

FIG.226

26、 SPEEDOMETER

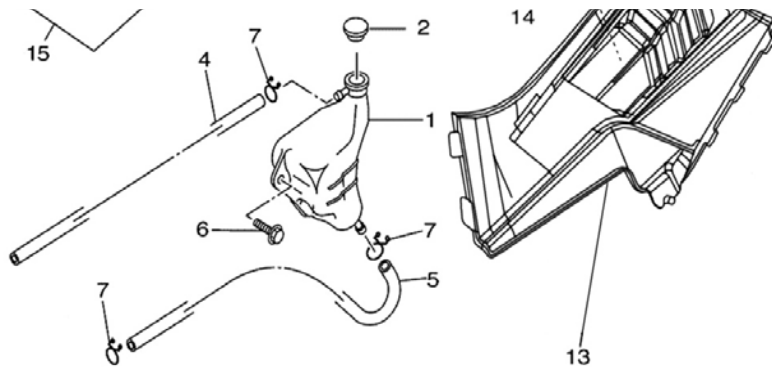
S/N	Parts Number	Part Name And Standard
1	226171001	Meter Assy
2	218170002	Nut M5

FIG.228



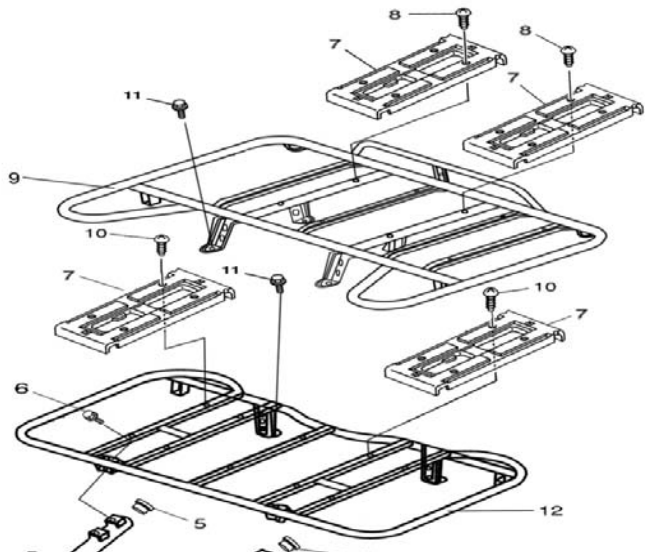
28、 FUELTANK COVER COMP

S/N	Parts Number	Part Name And Standard
1	228171001	Water Tank Assy
2	228171002	Water Tank Cover
3	225171007	Step Bolt M6×16-Φ10×4
4	228171004	Connecting Pipe Φ9×Φ5
5	228171005	Water Tank Water Pipe
6	106170023	Bolt M6×16
7	228171007	Water Pipe Clip Coopφ9
8	228151008	Fuel Tank Cover(Red)
8	228151008	Fuel Tank Cover(Black)
8	228151008	Fuel Tank Cover(Army Green)
8	228151008	Fuel Tank Cover(Camouflage)
8	228151008	Fuel Tank Cover(Maple Leaf)
8	228151008	Fuel Tank Cover(Silver)
8	228151008	Fuel Tank Cover(Vistamaple Leaf)
8	228151008	Fuel Tank Cover(Blue)
9	228171009	Fuel Tank Resist Heat Gasket
10	228171010	Swell Screw



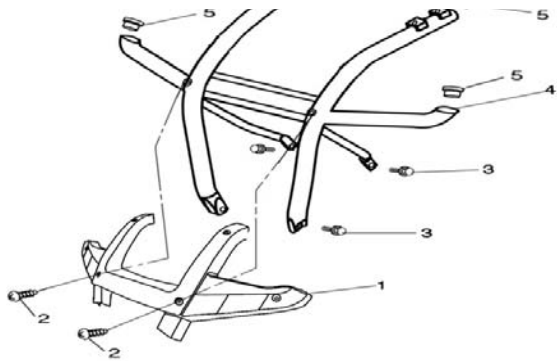
11	228171011	Fuel Tank Cover Glue
12	225171007	Step Bolt M6×16×Φ10×4
13	228151013	Fuel Tank Right Protect Plate
14	228151014	Hrat-Resistant Gasket, Fuel Tank Right Protect Plate
15	228151015	Fuel Tank Left Protect Plate
16	228171016	Rear Disk Brake Clamp Air Pipe
17	228171017	Rear Disk Brake Clamp Air Pipe

FIG.229



29、 FRONT & REAR RACK

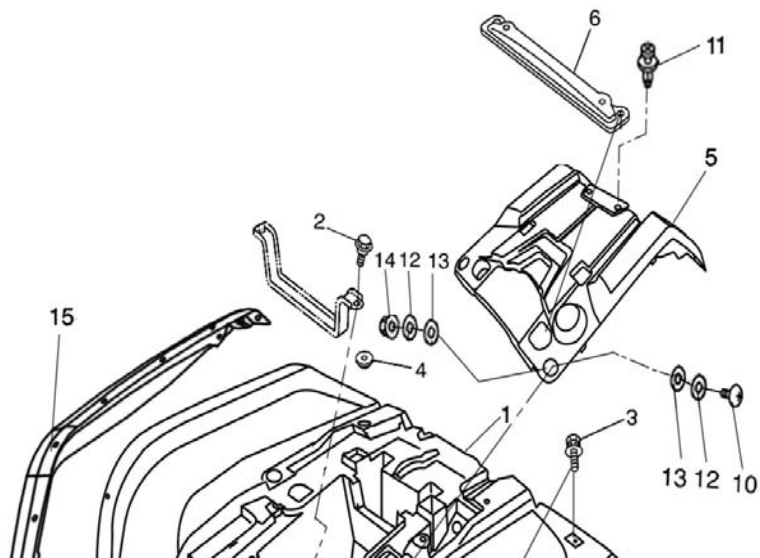
S/N	Parts Number	Part Name And Standard
1	229151001	Front Bumper Protect Piate
2	204170002	Screw M6×16
3	212170016	Six Angle Flang Bolt M8×20
4	229151004	Front Bumper Assy
5	229171005	Front Bumper Block
6	202170048	Six Angle Flang Bolt M8×12
7	229151007	Read Carrier Cober
8	230170007	Screw M5×16
9	229151009	Rear Rack Assy
10	230170007	Screw M5×16



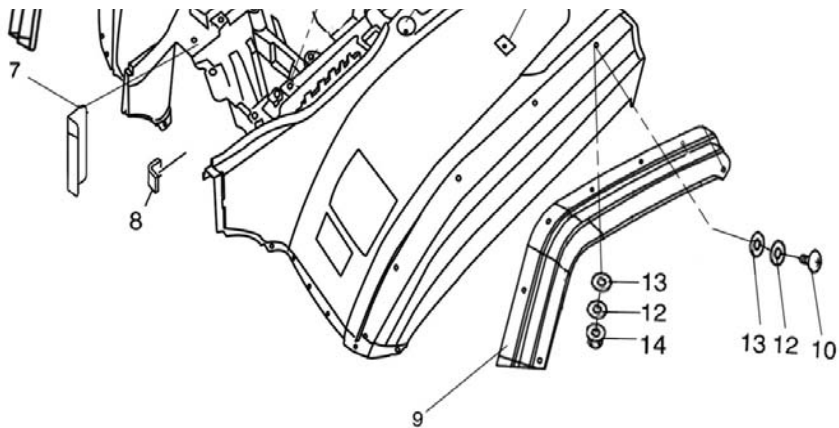
11	202170048	Six Angle Head Blit M8×12
12	229171012	Front Rack Assy

FIG.230

30、 PLASTIC REAR BODY COVER



S/N	Parts Number	Part Name And Standard
1	230151001	Rear Frame Body Cover(Red)
1	230151001	Rear Frame Body Cover(Black)
1	230151001	Rear Frame Body Cover(Army Green)
1	230151001	Rear Frame Body Cover(Camouflage)
1	230151001	Rear Frame Body Cover(Maple Leaf)
1	230151001	Rear Frame Body Cover(Silver)
1	230151001	Rear Frame Body Cover(Vistamaple Leaf)
1	230151001	Rear Frame Body Cover(Blue)
2	201170009	Sexangle Flang Bolt M6×12
3	106170023	Sexangle Flang Bolt M6×16
4	230151004	Plastic Nut

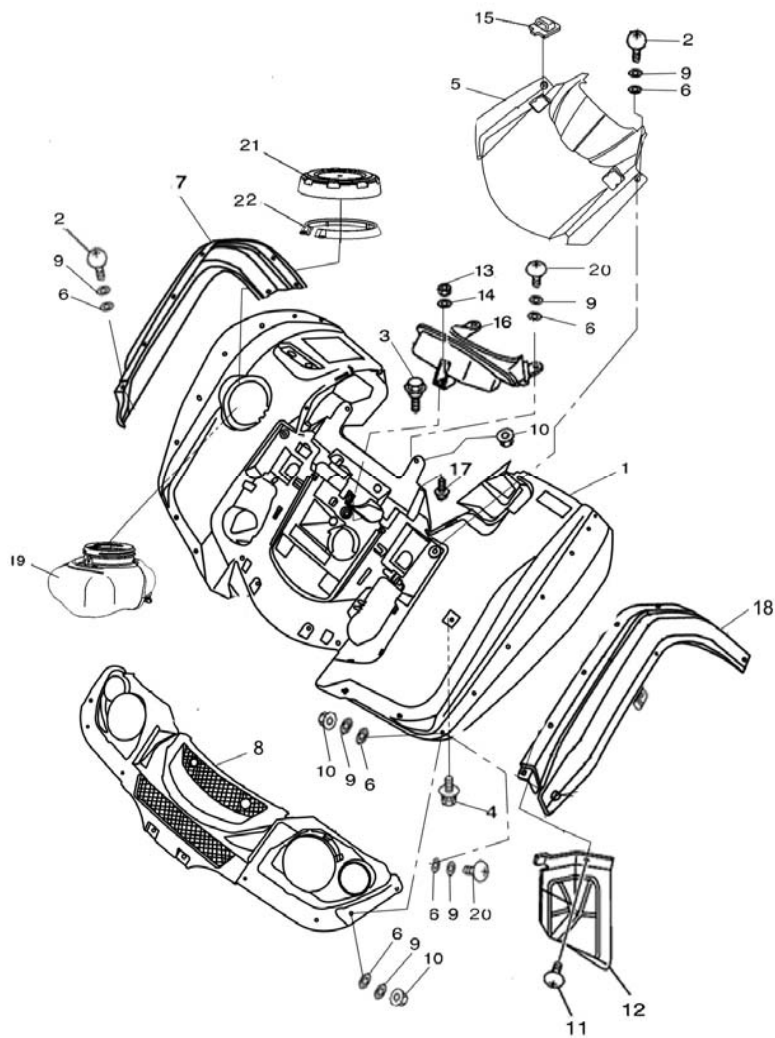


5	230151005	Rear Frame Body Cover
6	230171006	Seat Bracket
7	230151007	Sheathing Paper
8	230151008	Water Tank Protect Cover
9	230151009	Rear Frame Body Cover Left Skirting Board
10	204170002	Screw M6×16
11	220151009	Expansion Bolt
12	230171012	Glue Cushionφ6
13	225171005	Plain Cushionφ6
14	235170005	Sixangle Flang Nut M6
15	230151015	Rear Frame Body Cover Left Skirting Board

FIG.231

31、 PLASTIC FRONT BODY COVER

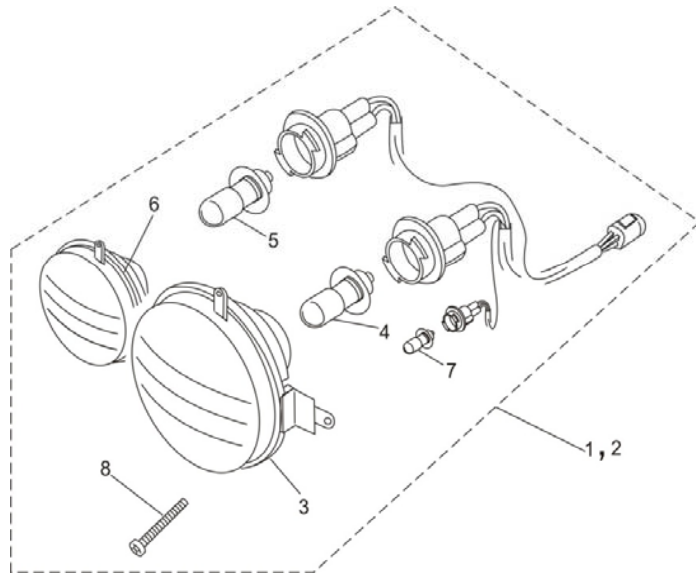
S/N	Parts Number	Part Name And Standard
1	231151001	Front Frame Body Cover(Red)
1	231151001	Front Frame Body Cover(Black)
1	231151001	Front Frame Body Cover(Army Green)
1	231151001	Front Frame Body Cover(Camouflage)
1	231151001	Front Frame Body Cover(Maple Leaf)
1	231151001	Front Frame Body Cover(Silver)



1	231151001	Front Frame Body Cover(Vistamaple Leaf)
1	231151001	Front Frame Body Cover(Blue)
2	204170002	Screw M6×16
3	225171007	Ster Bolt M6×16-Φ10×4
4	101170024	Sexangle Flang Bolt M6×12,
5	231151005	Front Frame Body Cover
6	230171012	Glue Cushionφ6
7	231151007	Right Skiring Board
8	231151008	Front Headlight Fixing Seat
9	225171005	Cushionφ6
10	235170005	Sixangle Flang Nut M6
11	204170002	Screw M6×16
12	231151012	Water Tank Protect Cover
13	235170005	Sixangle Flang Nut M6
14	201170008	Cushionφ6
15	231171015	Front Carrier Dustpoo Cover
16	231151016	Control Plate (Meter)
17	201171039	Ster Bolt M6×16-Φ10×16
18	231151018	Left Skiring Board
19	231171025	Front Box
20	203170015	Screw M6×20

21	231171023	Front Box Cover
22	231171024	Front Box Orientation Ring

FIG.232



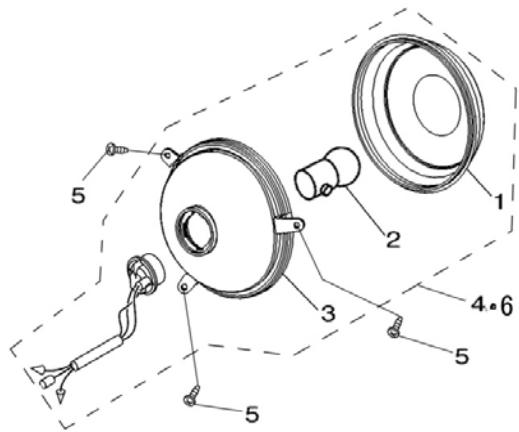
32、 FRONT LARGE LIGHT

S/N	Parts Number	Part Name And Standard
1	232151001	Left Headlight Assy
2	232151002	Right Headlight Assy
3	232151003	Headlight Cover
4	232171004	Headlight Bulb12V35W/35W
5	232171003	Turning Bulb12V10W
6	232151006	Front Tuning Light Cover
7	232171002	Headlight Builb12V3W
8	232151008	Adjust Bolt M6*50

FIG.233

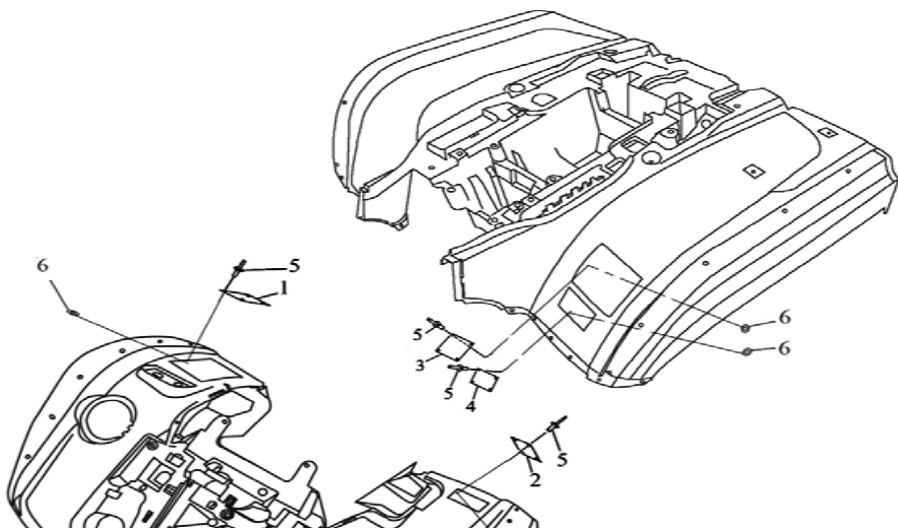
33、 TURNING SIGNAL LIGHT

S/N	Parts Number	Part Name And Standard
1	233171001	Rear Left&Right Turning Light Outer
2	233171002	Rear Left&Right Turning Bulb12V10W



3	233171003	Rear Left&Right Turning Tail Light Outer
4	233151004	Rear Left&Right Turning Light Assy
5	232171005	Tapping Screw3.9×13
6	233151006	Rear Right Turning Light Assy

FIG.234



34、 STICKER POSITION

S/N	Parts Number	Part Name And Standard
1	234171001	Warning Plate-1
2	234171002	Warning Plate-2
3	234171003	Warning Plate-3
4	234171004	Warning Plate-4
5	234171005	Rivet 3.2×16,Open Prolate Round
6	234171006	Plate Cushion Φ3
7	234171007	Rear Reflector

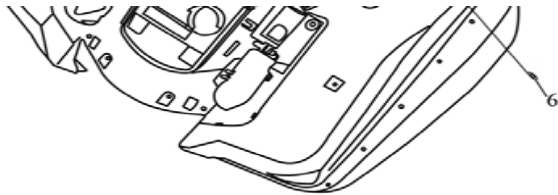
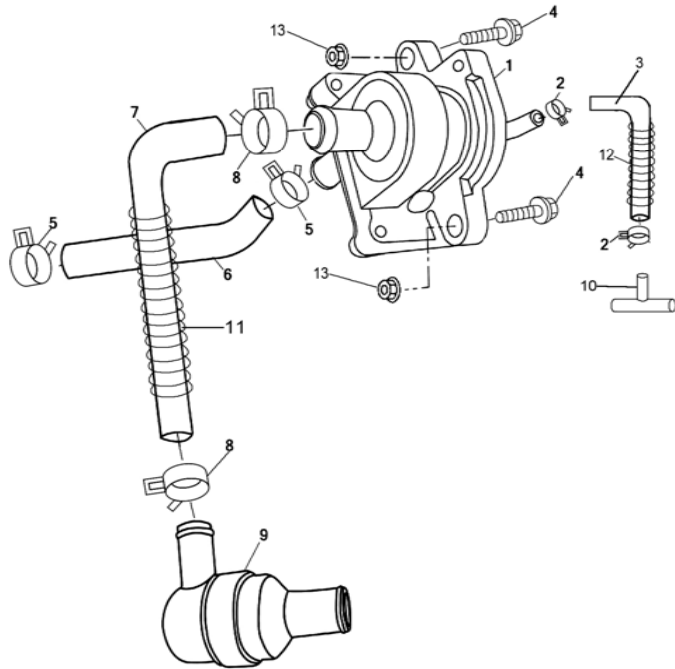


FIG.235

35、 SECONDE AIR-SUPPLY VALVE



S/N	Parts Number	Part Name And Standard
1	235171001	Second Inlet Valve
2	202171037	Clanφ8
3	235171003	Bear Press Tube
4	106170023	Bolt M6×16
5	220171011	Hoopφ14
6	235171006	High Temperature Tube
7	235171007	Rabber Pipe,Second Inlet Valve
8	220171011	Clanφ14
9	235171009	Small Air Filter
10	235171010	Trifurcate Tubeφ3
11	235171011	Spring Φ18
12	235171012	Spring Φ11
13	202170046	Flange Nut M6

FIG.236

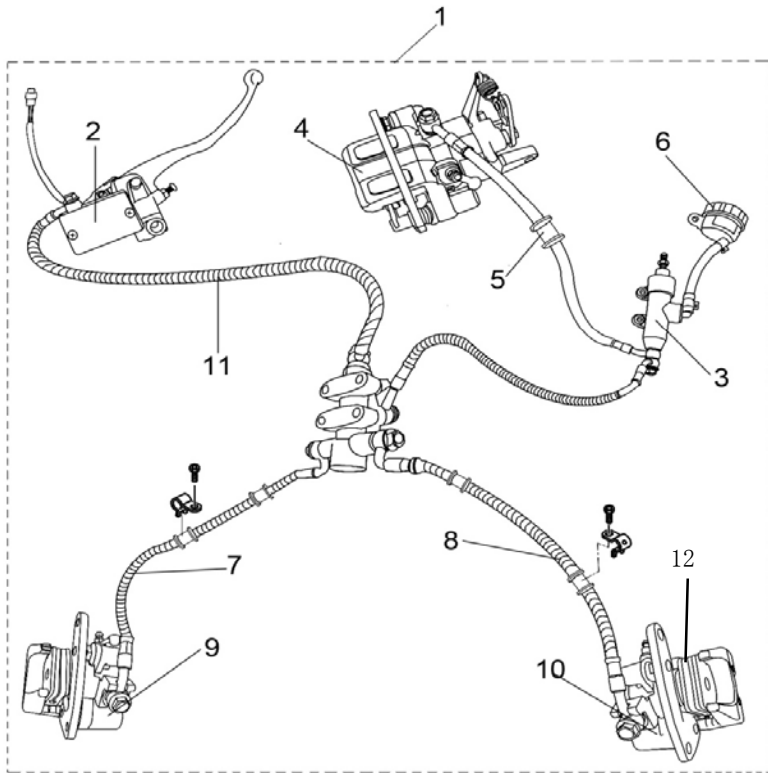
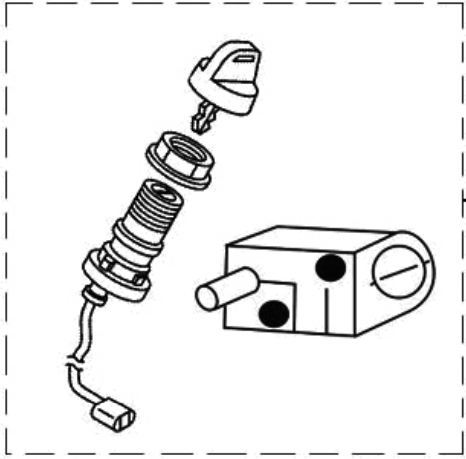


FIG.237

36、 BRAKE SYSTEM

S/N	Parts Number	Part Name And Standard
1	236171001	Disk Brake Fuel Pump Assy(Include Disc Brake Clamp) (Emark)
2	236171002	Upper Disc Brake Bump (Emark)
3	236171003	Main Disc Brake Bump (Emark)
4	236171004	Rear Disc Brake Clamp (Emark)
5	236171005	Oil Pipe , Rear Disc Brake (Emark)
6	236171006	Oil Cup, Rear Disc Brake (Emark)
7	236171007	Oil Pipe,Front Left Disc Brake (Emark)
8	236171008	Oil Pipe, Front Right Disc Brake
9	236171009	Front Left Disc Brake Clamp (Emark)
10	236171010	Front Right Disc Brake Clamp (Emark)
11	236171011	Main Oil Pipe, Front Disc Brake (Emark)
12	236151012	Disk Brake Piece

37、 LOCK



1

S/N	Parts Number	Part Name And Standard
1	237151001	Lock Assy